

FSDC-0-12400-30

0~12.4GHz, 30W

Features:

- * Broadband
- * Low Insertion Loss

Applications:

- * Amplifiers
- * Transmitter
- * Laboratory Test
- * Radar

Electrical

Frequency:	0~12.4GHz
Coupling:	10±1.3, 20±1.3dB
Average Power:	30W
Peak Power:	3000W max.

Mechanical

Size*1:	111.8*17.8*12.7mm 4.402*0.701*0.5in
Connectors:	SMA female
Mounting:	2-Φ2.4mm through-hole

[1] Exclude connectors and terminations.

Electrical (10dB)

Frequency (GHz)	Coupling (dB typ./max.)	Insertion Loss (dB typ./max.)	Directivity (dB typ./min.)	VSWR (Mainline) (typ./max.)	VSWR (Coupling) (typ./max.)
DC~0.3	25/-	0.2/0.7	25/-	1.1/1.3	1.1/1.3
0.3~0.5	12/-	0.5/0.9	25/-	1.1/1.3	1.1/1.3
0.5~12.4	10/10±1.3	1/1.5	25/20	1.1/1.3	1.1/1.3

Electrical (20dB)

Frequency (GHz)	Coupling (dB typ./max.)	Insertion Loss (dB typ./max.)	Directivity (dB typ./min.)	VSWR (Mainline) (typ./max.)	VSWR (Coupling) (typ./max.)
DC~0.3	35/-	0.2/0.5	25/-	1.1/1.3	1.1/1.3
0.3~0.5	22/-	0.2/0.5	25/-	1.1/1.3	1.1/1.3
0.5~12.4	20/20±1.3	0.6/1	25/20	1.1/1.3	1.1/1.3

Environmental

Operating Temperature:	-55~+85°C
Non-operating Temperature:	-55~+100°C

How To Order

FSDC-0-12400-30-X-Y

X: Coupling (10, 20dB)

Y: Connector type

Connector naming rules:

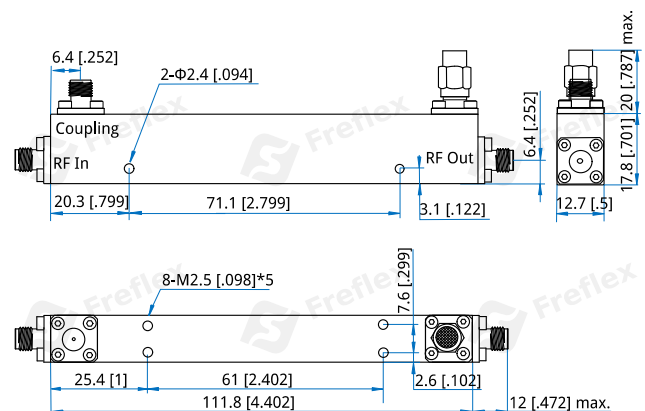
S - SMA female

Examples:

To order a single directional coupler, 0~12.4GHz, 30W, 10dB, SMA female, specify FSDC-0-12400-30-10-S.

Customization is available upon request.

Outline Drawings



Unit: mm [in]

Tolerance: x.±1mm [±0.039in], .x±0.5mm [±0.02in], .xx±0.1mm [±0.004in]