

FSDC-0-50000-20

0~50GHz, 20W

Features:

- * Broadband
- * Low Insertion Loss

Applications:

- * Amplifiers
- * Transmitter
- * Laboratory Test
- * Radar

Electrical

Frequency:	0~50GHz
Coupling:	10±2.2, 20±2.2dB
Average Power:	20W
Peak Power:	1000W max.

Mechanical

Size*1:	88.9*17.8*12.7mm
	3.5*0.701*0.5in
Connectors:	2.4mm female
Mounting:	2-Φ2.6mm through-hole

[1] Exclude connectors and terminations.

Electrical (10dB)

Frequency (GHz)	Coupling (dB typ./max.)	Insertion Loss (dB typ./max.)	Directivity (dB typ./min.)	VSWR (Mainline) (typ./max.)	VSWR (Coupling) (typ./max.)
DC~0.4	25/-	0.2/0.7	25/-	1.1/1.3	1.1/1.3
0.4~1	12/-	0.5/1	25/-	1.1/1.3	1.1/1.3
1~26.5	10/10±2.2	1.8/2.3	16/12	1.3/1.6	1.3/1.6
26.5~50	10/10±2.2	2.6/3.5	11/8	1.4/1.8	1.4/1.8

Electrical (20dB)

Frequency (GHz)	Coupling (dB typ./max.)	Insertion Loss (dB typ./max.)	Directivity (dB typ./min.)	VSWR (Mainline) (typ./max.)	VSWR (Coupling) (typ./max.)
DC~0.4	35/-	0.2/0.6	25/-	1.1/1.3	1.1/1.3
0.4~1	22/-	0.2/0.6	25/-	1.1/1.3	1.1/1.3
1~26.5	20/20±2.2	0.9/1.5	16/12	1.3/1.6	1.3/1.6
26.5~50	20/20±2.2	1.4/2.1	11/8	1.4/1.8	1.4/1.8

Environmental

Operating Temperature:	-55~+85°C
Non-operating Temperature:	-55~+100°C

How To Order

FSDC-0-50000-20-X-Y

X: Coupling (10, 20dB)

Y: Connector type

Connector naming rules:

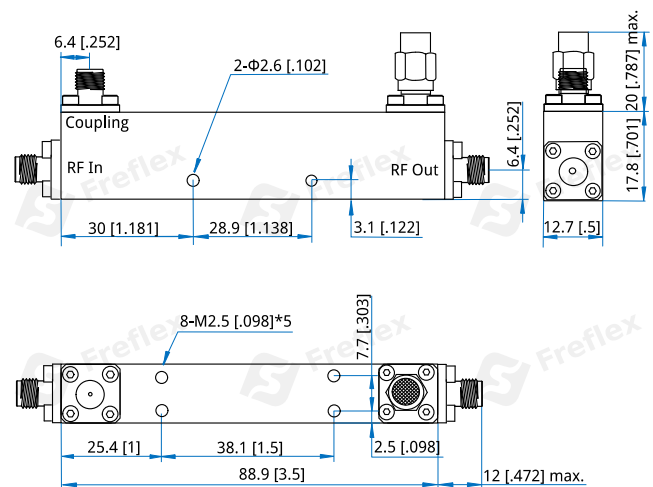
2 - 2.4mm female

Examples:

To order a single directional coupler, 0~50GHz, 20W, 10dB, 2.4mm female, specify FSDC-0-50000-20-10-2.

Customization is available upon request.

Outline Drawings



Unit: mm [in]

Tolerance: x.±1mm [±0.039in], .x±0.5mm [±0.02in], .xx±0.1mm [±0.004in]