

FSDC-300-18000-30

0.3~18GHz, 30W

Features:

- * Broadband
- * Low Insertion Loss

Applications:

- * Amplifiers
- * Transmitter
- * Laboratory Test
- * Radar

Electrical

Frequency:	0.3~18GHz
Directivity:	13dB min.
Impedance:	50Ω
Average Power:	30W max.
Peak Power:	3000W max.

Coupling (dB)	Insertion Loss (dB max.)	VSWR (max.)	Coupling Flatness (±dB max.)
6±0.8	3.0	1.4	1.1
10±0.8	2.0	1.4	1.1
13±0.8	1.8	1.4	1.1
16±0.8	1.7	1.4	1.1
20±0.8	1.4	1.4	1.1
30±0.9	1.6	1.4	1.2

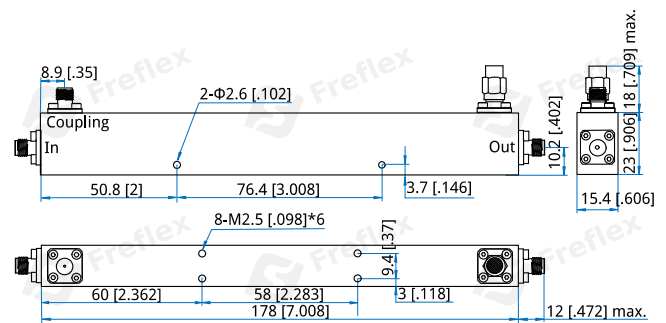
Mechanical

Connectors:	SMA Female
Mounting:	2-Φ2.6mm through-hole 8-M2.5*6

Environmental

Operation Temperature:	-55~+85°C
Non-operation Temperature:	-55~+100°C

Outline Drawings



Unit: mm [in]

Tolerance: .x±0.5mm [±0.02in], .xx±0.1mm [±0.004in]

How To Order

FSDC-300-18000-30-X-Y

X: Coupling (6, 10, 13, 16, 20, 30dB)

Y: Connector type

Connector naming rules:

S - SMA female

Examples:

To order a single directional coupler, 0.3~18GHz, 30W, 20dB, SMA female, specify FSDC-300-18000-30-20-S.

Customization is available upon request.