

FSDC-300-26500-30

0.3~26.5GHz, 30W

Features:

- * Broadband
- * Low Insertion Loss

Applications:

- * Amplifiers
- * Transmitter
- * Laboratory Test
- * Radar

Electrical

Frequency:	0.3~26.5GHz
Directivity:	11dB min.
Impedance:	50Ω
Average Power:	30W max.
Peak Power:	3000W max.

Coupling (dB)	Insertion Loss (dB max.)	VSWR (max.)	Coupling Flatness (±dB max.)
6±0.9	3.5	1.5	1.3
10±0.9	2.7	1.5	1.3
13±0.9	2.4	1.5	1.3
16±0.9	2.2	1.5	1.3
20±0.9	2.1	1.5	1.3
30±0.9	2.1	1.5	1.4

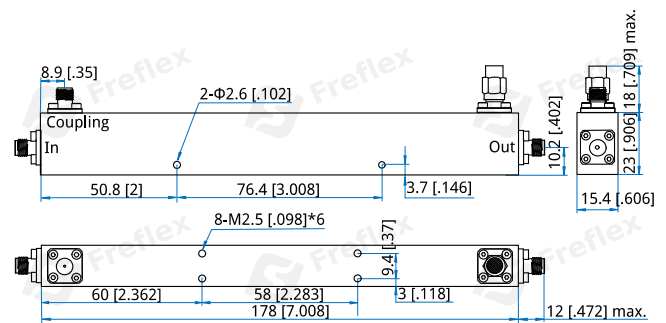
Mechanical

Connectors:	SMA Female
Mounting:	2-Φ2.6mm through-hole 8-M2.5*6

Environmental

Operation Temperature:	-55~+85°C
Non-operation Temperature:	-55~+100°C

Outline Drawings



Unit: mm [in]

Tolerance: .x±0.5mm [±0.02in], .xx±0.1mm [±0.004in]

How To Order

FSDC-300-26500-30-X-Y

X: Coupling (6, 10, 13, 16, 20, 30dB)

Y: Connector type

Connector naming rules:

S - SMA female

Examples:

To order a single directional coupler, 0.3~26.5GHz, 30W, 10dB, SMA female, specify FSDC-300-26500-30-10-S.

Customization is available upon request.