

FSDC-470-860-K5

470~860MHz, 500W

Features:

- * Broadband
- * Low Insertion Loss

Applications:

- * Amplifiers
- * Transmitter
- * Laboratory Test
- * Radar

Electrical

Frequency:	470~860MHz
Impedance:	50Ω
Average Power:	500W

Coupling (dB)	Insertion Loss (dB max.)	VSWR (max.)	Directivity (dB min.)
30±0.75	0.3	1.15	20
40±0.75	0.3	1.15	20
50±0.75	0.3	1.15	20

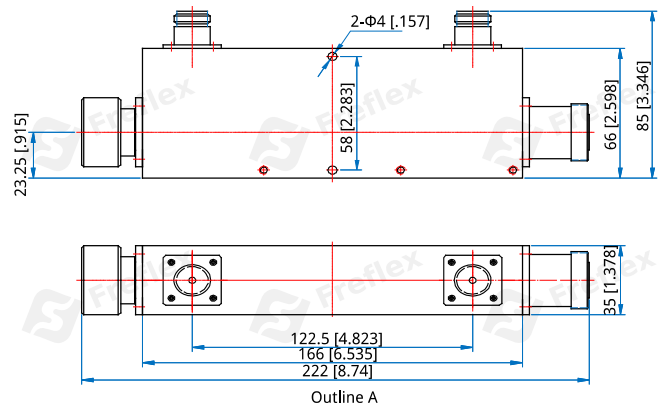
Mechanical

RF Connectors:	7/16 DIN Female, 7/16DIN Male
Coupling Connectors:	7/16 DIN Female
Mounting:	2-Φ4mm through hole

Environmental

Operation Temperature:	-40~+80°C
Non-operation Temperature:	-50~+100°C

Outline Drawings



Unit: mm [in]
Tolerance:±5%

How To Order

FSDC-470-860-K5-X-Y

X: Coupling:
30, 40, 50dB - Outline A
Y: Connector type

Connector naming rules:

7M7 - 7/16 DIN Male & 7/16 DIN Female

Examples:

To order a single directional coupler, 470~860MHz, 500W, 30dB, 7/16 Male & 7/16 Female, specify FSDC-470-860-K5-30-7M7.

Customization is available upon request.