

FSDC-500-2000-50

0.5~2GHz, 50W

Features:

- * Broadband
- * Low Insertion Loss

Applications:

- * Amplifiers
- * Transmitter
- * Laboratory Test
- * Radar

Electrical

Frequency:	0.5~2GHz
Insertion Loss:	0.4dB max.
Coupling:	10±1, 20±1, 30±1dB max.
Coupling Flatness:	±0.5dB max.
Directivity:	20dB min.
VSWR (Mainline):	1.2 max.
VSWR (Coupling):	1.2 max. (Outline A)
Amplitude Balance:	±0.7dB max. (Outline A)
Average Power:	50W CW

Mechanical

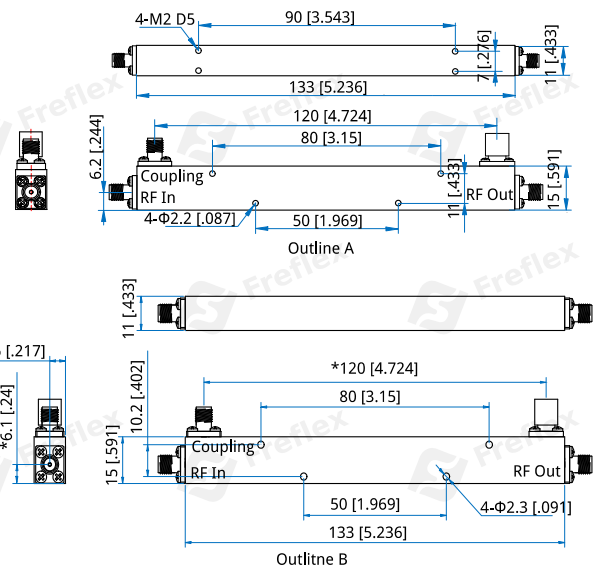
Size ^{*1} :	133*15*11mm 5.236*0.591*0.433in
Connectors:	SMA Female

[1] Exclude connectors and terminations.

Environmental

Temperature:	-55~+85°C
--------------	-----------

Outline Drawings



Unit: mm [in]

Tolerance: ±0.2mm [±0.008in], *Ensure dimensions for design.

How To Order

FSDC-500-2000-50-X-Y

X: Coupling (10 - Outline A, 20, 30 - Outline B)

Y: Connector type

Connector naming rules:

S - SMA Female (Outline A, B)

Examples:

To order a dual directional coupler, 0.5~2GHz, 50W, 30dB, SMA Female, specify QDDC-500-2000-50-30-S.

Customization is available upon request.