

## FSDC-700-6000-50

### 0.7~6GHz, 50W

Features:  
 \* Broadband  
 \* Low Insertion Loss

Applications:  
 \* Amplifiers  
 \* Transmitter  
 \* Laboratory Test  
 \* Radar

#### Electrical

Frequency:	0.7~6GHz
Insertion Loss:	0.7dB max. 1.0dB max. (N)
VSWR:	1.3 max.
Directivity:	16dB min. 12dB min. (N)
Coupling:	20±1dB
Coupling Flatness:	±1.0dB max. (SMA)
Impedance:	50Ω
Average Power:	50W

#### Mechanical

Connectors:	N Female, SMA Female
Mounting:	4-Φ3.2mm through-hole (N) 4-Φ2.2mm through-hole 4-M2mm Deep 5

#### Environmental

Temperature:	-45~+85°C
--------------	-----------

#### How To Order

**FSDC-700-6000-50-X-Y**

X: Coupling: 20

Y: Connector type

Connector naming rules:

S - SMA Female (Outline A)

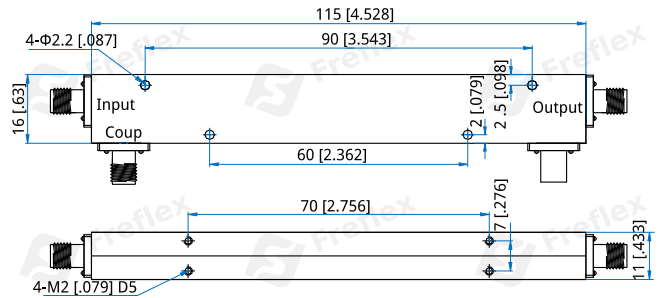
N - N Female (Outline B)

Examples:

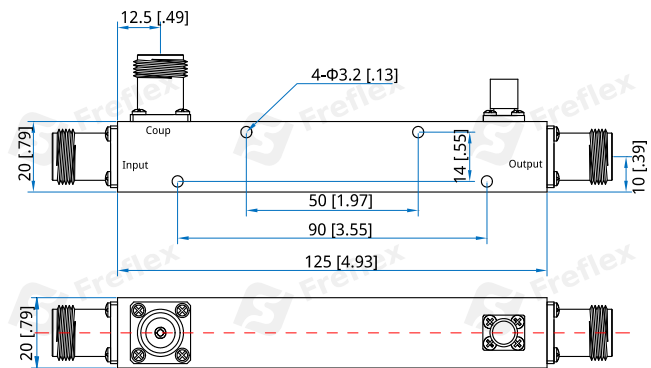
To order a single directional coupler, 0.7~6GHz, 50W, 10dB, SMA, specify FSDC-700-6000-50-10-S.

Customization is available upon request.

#### Outline Drawings



Outline A



Outline B

Unit: mm [in]

Tolerance: ±0.5mm [±0.02in]