

FSDC-80-420-50

80~420MHz, 50W

Features:

- * Broadband
- * Low Insertion Loss

Applications:

- * Amplifiers
- * Transmitter
- * Laboratory Test
- * Radar

Electrical

Frequency:	80~420MHz
Insertion Loss:	0.4dB max.
Coupling:	20±1, 40±1dB
Directivity:	20dB min.
VSWR (Mainline):	1.25 max.
Average Power:	50W

Mechanical

Size ^{*1} :	50.8*51*22.35mm 2*2.008*0.88in
Mounting:	2-Φ3.2mm through-hole

[1] Exclude connectors and terminations.

How To Order

FSDC-80-420-50-X-Y

X: Coupling: 20, 40

Y: Connector type

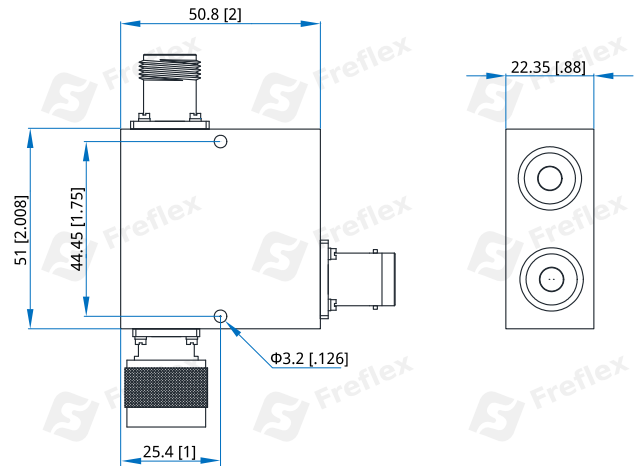
Connector naming rules:

N-1 - N male(In)&N female(Out)&BNC male

Examples:

To order a single directional coupler, 0.08~0.42GHz, 50W, 40dB, N male(In)&N female(Out)&BNC male, specify FSDC-80-420-50-40-N-1.

Customization is available upon request.

Outline Drawings


Unit: mm [in]

Tolerance: ±0.3mm [±0.012in]