

FSDCC-8200-12500

8.2~12.5GHz

Features:

- * Broadband
- * High Power
- * Low Insertion Loss

Applications:

- * Amplifiers
- * Transmitter
- * Laboratory Test
- * Radar

Electrical

Frequency:	8.2~12.5GHz
Coupling:	20±0.2, 40±0.2, 50±1.5, 60±1dB
VSWR (Mainline):	1.1 max.
VSWR (Coupling):	1.25 max.
Directivity:	15dB min. (Outline B) 20dB min.
Power Handling:	0.33MW

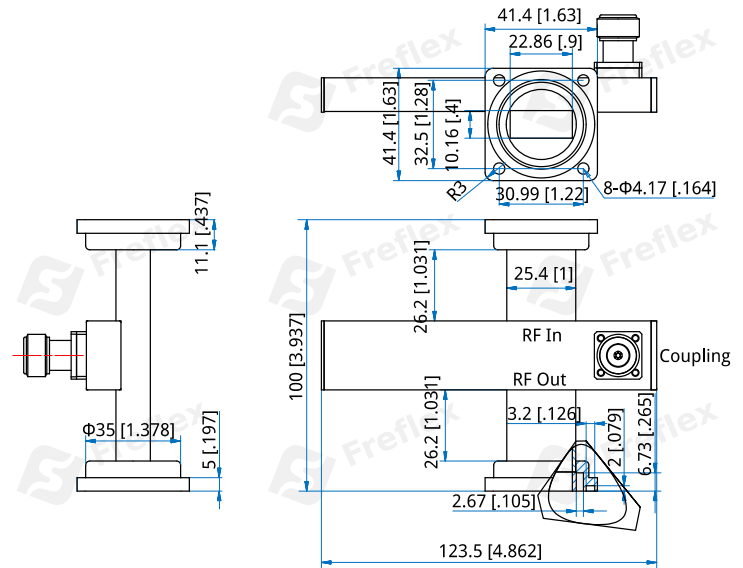
Mechanical

Interface:	WR-90 (BJ100)
Flange:	FBP100/FBM100
Material:	Aluminium
Finish:	Conductive oxidation
Coating:	Black paint

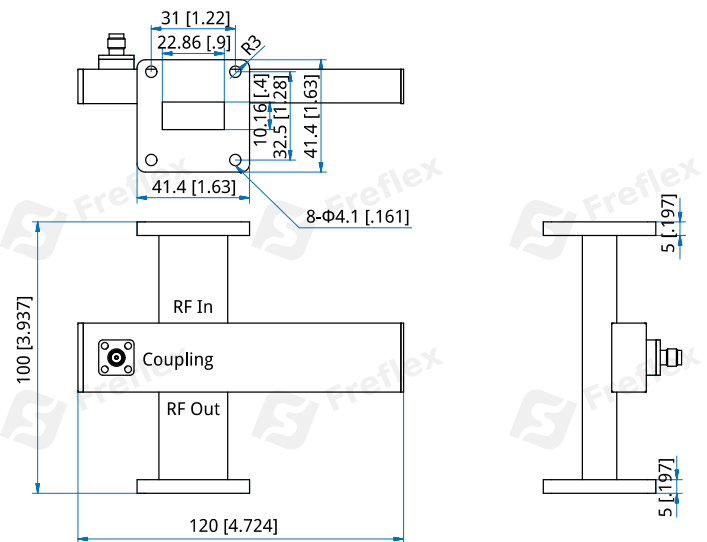
Environmental

Operating Temperature: -40~+125°C

Outline Drawings



Outline A



Outline B

How To Order

FSDCC-8200-12500-W-X-Y-Z

W: Coupling:

20, 40 - Outline A

50 - Outline B

60 - Outline C

X: Coupling Connector type

Y: Material

Z: Flange type

Connector naming rules:

N - N female (Outline A, C)

S - SMA female (Outline B)

Material naming rules:

A - Aluminium (Outline A)

Flange naming rules:

1 - FBP (Outline B, C)

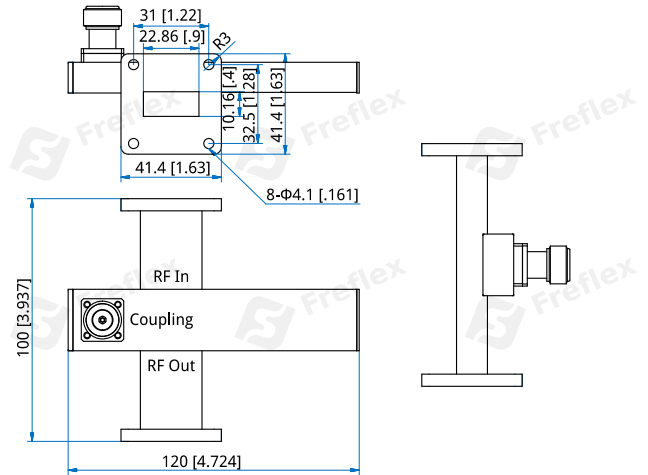
3 - FBM (Outline A)

Examples:

To order a Single Directional Crossguide Coupler, 8.2~12.5GHz,
40dB, N female, Aluminium, FBM100, specify
FSDCC-8200-12500-40-N-A-3.

Customization is available upon request.

Single Directional Crossguide Couplers



Outline C

Unit: mm [in]

Tolerance: $\pm 0.2\text{mm}$ [$\pm 0.008\text{in}$]