

## FSDLC-5000-18000

5~18GHz

### Features:

- \* Broadband
- \* High Power
- \* Low Insertion Loss

### Applications:

- \* Amplifiers
- \* Transmitter
- \* Laboratory Test
- \* Radar

### Electrical

Frequency:	5~18GHz
Coupling:	40±1.5dB
VSWR (Mainline):	1.1 max.
VSWR (Coupling):	1.35 max.
Directivity:	12dB min.
Power:	2000W max.

### Mechanical

Interface:	WRD500
Flange:	FPWRD500
Material:	Aluminium
Finish:	Conductive oxidation
Coating:	Sea gray

### Environmental

Operating Temperature: -40~+125°C

### How To Order

**FSDLC-5000-18000-W-X-Y-Z**

W: Coupling:

40dB - Outline A

X: Coupling Connector type

Y: Material

Z : Flange type

Connector naming rules:

S - SMA female (Outline A)

Material naming rules:

A - Aluminium (Outline A)

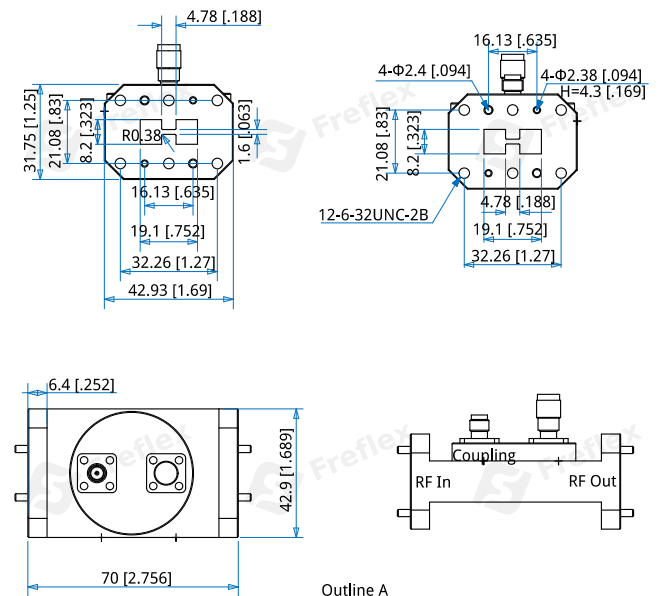
Flange naming rules:

8 - FPWRD (Outline A)

Examples:

To order a Single Directional Loop Coupler, 5~18GHz, 40dB, SMA female, Aluminium, FPWRD500, specify FSDLC-5000-18000-40-S-A-8.

### Outline Drawings



Unit: mm [in]

Tolerance: ±0.2mm [±0.008in]

Customization is available upon request.