

## FSDLC-9000-9500

9~9.5GHz

### Features:

- \* Broadband
- \* High Power
- \* Low Insertion Loss

### Applications:

- \* Amplifiers
- \* Transmitter
- \* Laboratory Test
- \* Radar

### Electrical

Frequency:	9~9.5GHz
Coupling:	30±0.25dB
VSWR (Mainline):	1.1 max.
VSWR (Coupling):	1.3 max.
Directivity:	20dB min.
Power Handling:	0.33MW

### Mechanical

Interface:	WR-90 (BJ100)
Flange:	FBP100
Material:	Aluminum
Finish:	Conductive oxidation
Coating:	Sea gray

### Environmental

Operating Temperature: -40~+125°C

### How To Order

**FSDLC-9000-9500-W-X-Y-Z**

W: Coupling (30dB - Outline A)

X: Coupling Connector type

Y: Material

Z: Flange type

Connector naming rules:

S - SMA female (Outline A)

Material naming rules:

A - Aluminum (Outline A)

Flange naming rules:

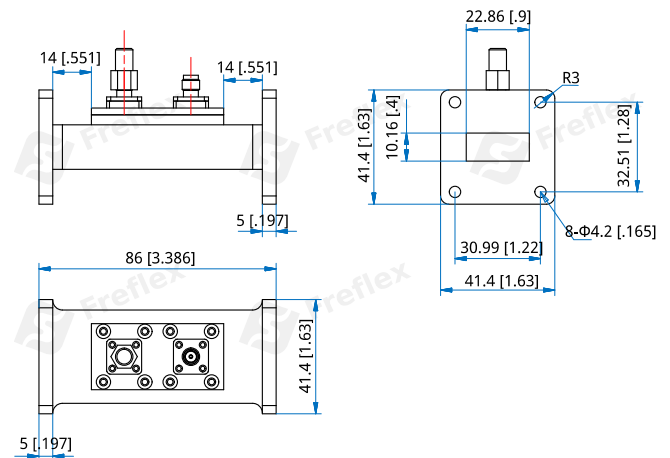
1 - FBP (Outline A)

Examples:

To order a Single Directional Loop Coupler, 9~9.5GHz, 30dB, SMA female, Aluminum, FBP100, specify FSDLC-9000-9500-30-S-A-1.

Customization is available upon request.

### Outline Drawings



Unit: mm [in]

Tolerance: ±0.2mm [±0.008in]