

## FWTS90-20

### WR-90, 20W

Features:  
\* Low VSWR

Applications:  
\* Transmitters  
\* Antennas  
\* Laboratory Test  
\* Impedance Matching

#### Electrical

Frequency: 8.2~12.5GHz  
Average Power: 20W  
VSWR: 1.2 max.

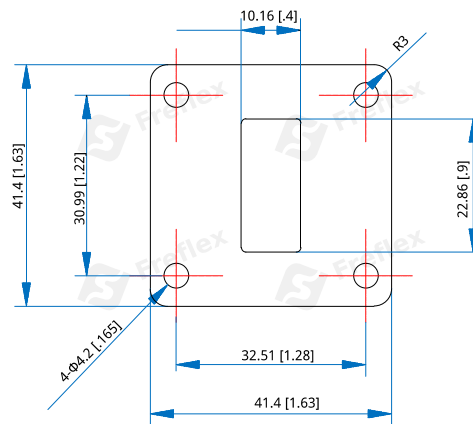
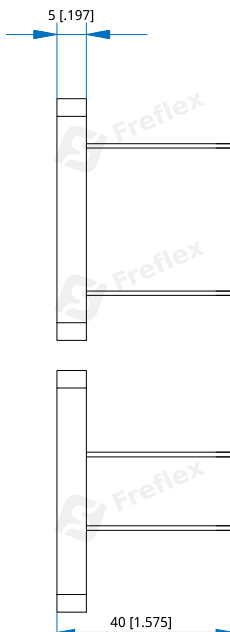
#### Mechanical

Waveguide Size: WR-90 (BJ100)  
Flange: FBP100

#### Environmental

Temperature: -55~+125°C

#### Outline Drawings



Outline A

Unit: mm [in]  
Tolerance:  $\pm 0.5\text{mm}$  [ $\pm 0.02\text{in}$ ]

#### How To Order

**FWTS90-20-Y-Z**

Y : Material

Z : Flange type

Material naming rules:  
A - Aluminum (Outline A)

Flange naming rules:

1 - FBP100 (Outline A)

Examples:

To order a small size waveguide termination, WR-90, 20W, Aluminum, FBP100, specify FWTS90-20-A-1.

Customization is available upon request.