

FPS2-0.009-6000-A

SPDT, 9K~6GHz, Absorptive

Features:

- * Low Insertion Loss
- * High Isolation

Applications:

- * Wireless
- * Transmitter
- * Laboratory Test
- * Radar

Electrical

Frequency:	9K~6GHz
Insertion Loss:	3.5dB max.
Isolation:	60dB min.
VSWR:	1.6 max.
Input Power:	+25dBm max.
Voltage/Current:	+5V@30mA max.
Control:	TTL High - 1
	TTL Low/NC - 0

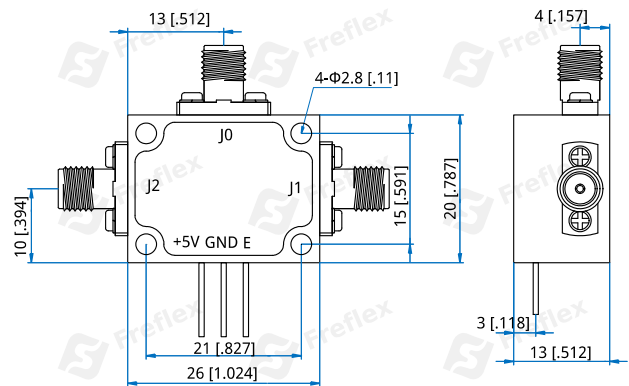
Mechanical

Size* ¹ :	26*20*13mm 1.024*0.787*0.512in
Switching Time:	100nS max.
RF Connectors:	SMA Female
Power Supply Connectors:	Feed Through/Terminal Post
Mounting:	4-Φ2.7mm through-hole

[1] Exclude connectors.

Environmental

Operating Temperature:	-40~+85°C
Non-operating Temperature:	-55~+125°C

Outline Drawings


Unit: mm [in]

Tolerance: ±0.2mm [±0.008in]

Control True Table

E1	Connection
0	J0 - J1 On
1	J0 - J2 On

How To Order

[FPS2-0.009-6000-A](#)

Customization is available upon request.