

FPS2-20-6000-R

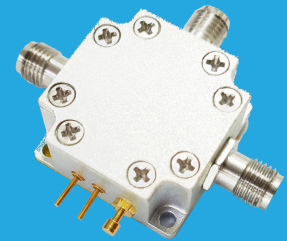
SPDT, 0.02~6GHz, 5W, Reflective

Features:

- * Low Insertion Loss
- * High Isolation

Applications:

- * Wireless
- * Transmitter
- * Laboratory Test
- * Radar


Electrical

Frequency:	0.02~6GHz
Insertion Loss:	1dB typ.
Isolation:	30dB typ.
VSWR:	2.0 max.
Voltage:	+5V DC
Current:	50mA typ.
Impedance:	50Ω
Control:	TTL High -1
	TTL Low/NC -0

Absolute Maximum Ratings*1

RF Input Power:	37dBm
Voltage:	+6V
Control voltage:	+5.5V

[1] Permanent damage may occur if any of these limits are exceeded.

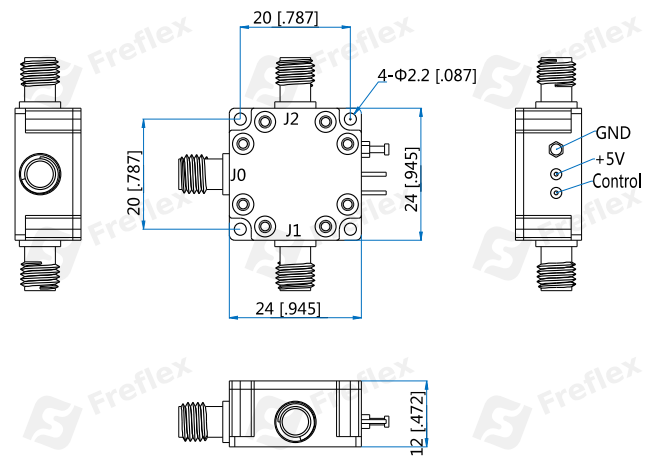
Mechanical

Size*1:	24*20*12mm max. 0.945*0.787*0.472in max.
Switching Time:	3uS max.
Weight:	18g
Material:	Aluminum
RF Connectors:	SMA Female
Power Supply Connectors:	Feed Through/Terminal Post
Mounting:	4-Φ2.2mm through-hole

[1] Exclude connectors.

Environmental

Operating Temperature:	-20~+75°C
Non-operating Temperature:	-40~+85°C

Outline Drawings


Unit: mm [in]

Tolerance: ±0.2mm [±0.008in]

Control True Table

Ctrl	Connection
0	J0 - J2 On, J0 - J1 Off
1	J0 - J1 On, J0 - J2 Off

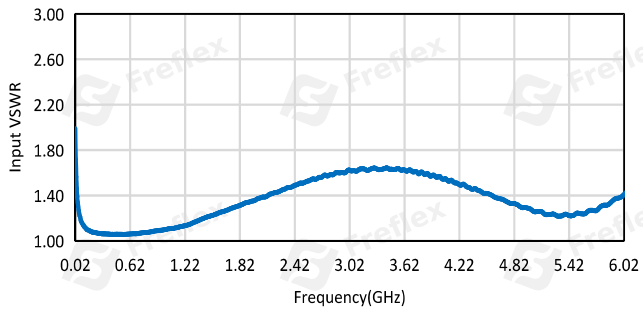
How To Order

FPS2-20-6000-R

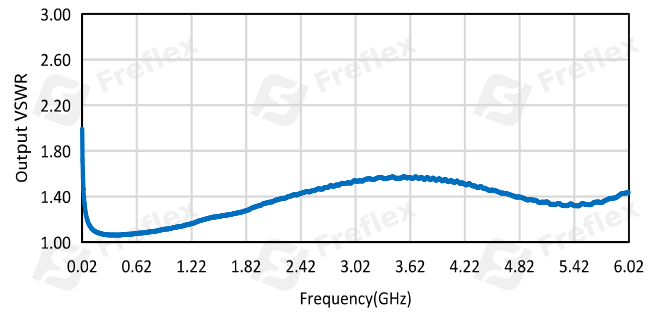
Customization is available upon request.

Typical Performance Curves

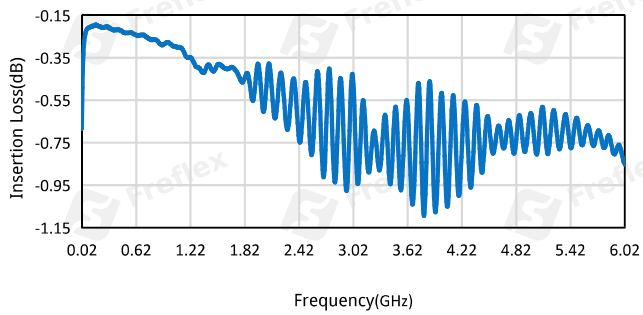
Input VSWR vs. Frequency



Output VSWR vs. Frequency



Insertion Loss vs. Frequency



Isolation vs. Frequency

