

FPS2-30-500-R

SP2T, 0.03~0.5GHz, Reflective

Features:

- * Low Insertion Loss
- * High Isolation

Applications:

- * Wireless
- * Transmitter
- * Laboratory Test
- * Radar

Electrical

Frequency:	0.03~0.5GHz
Insertion Loss:	0.3dB typ.
Isolation:	55dB min.
Input VSWR:	1.5 max.
Output VSWR:	1.5 max.
Average Power:	50W max.
Impedance:	50Ω
Voltage:	+12V DC
Current:	300mA max.
Control:	TTL High - 1 TTL Low/NC - 0

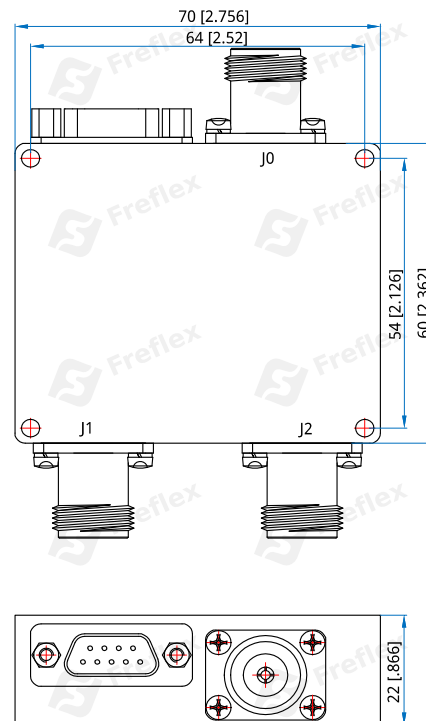
Mechanical

Size*1:	70*60*22mm 2.756*2.362*0.866in
Switching Time:	1uS max.
RF Connectors:	SMA female
Control Interface:	DB9-female

[1] Exclude connectors.

Environmental

Operating Temperature:	-40~+70°C
Non-operating Temperature:	-55~+85°C

Outline Drawings


Unit: mm [in]

Tolerance: ±0.2mm [±0.008in]

Control True Table

Ctrl	Connection
0	J0 - J1 On, J0 - J2 Off
1	J0 - J2 On, J0 - J1 Off

How To Order

FPS2-30-500-R

Customization is available upon request.