

FPS3-20-18000-A

SP3T, 0.02~18GHz, Absorptive

Features:

- * Low Insertion Loss
- * High Isolation

Applications:

- * Wireless
- * Transmitter
- * Laboratory Test
- * Radar

Electrical

Frequency:	0.02~18GHz
Insertion Loss:	5dB max.
Isolation:	60dB min.
VSWR:	2 max.
Input Power:	1W max.
Voltage:	+5V, -5V DC
Current:	120mA, 50mA.
Control:	TTL High - 1 TTL Low/NC - 0
Impedance:	50Ω

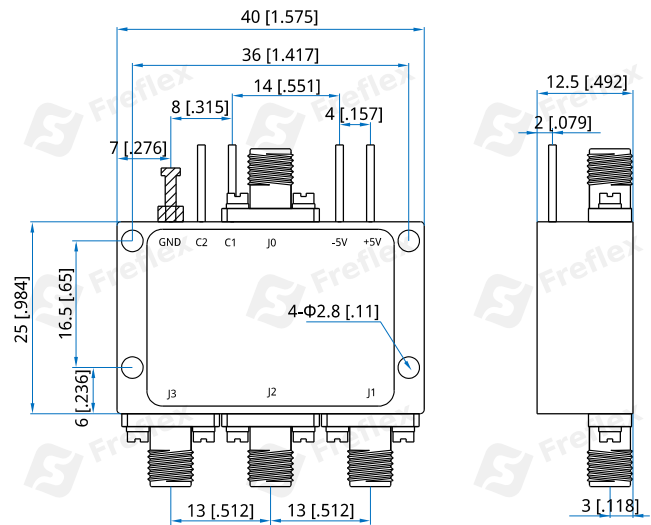
Mechanical

Size ^{*1} :	40*25*12.5mm 1.575*0.984*0.492in
Switching Time:	250ns max.
RF Connectors:	SMA Female
Power Supply Connectors:	Feed Through/Terminal Post
Housing Material:	Aluminum
Mounting:	4-Φ2.8mm through-hole

[1] Exclude connectors.

Environmental

Operating Temperature:	-45~+85°C
Non-operating Temperature:	-55~+125°C

Outline Drawings


Unit: mm [in]

Tolerance: ±0.2mm [±0.008in]

Control True Table

C1	C2	Connection
0	0	J0 - J1 On
0	1	J0 - J2 On
1	0	J0 - J3 On
1	1	Off

How To Order

FPS3-20-18000-A

Customization is available upon request.