

# FPS4-200-35000-A

## SP4T, 0.2~35GHz, Absorptive

**Features:**

- \* Low Insertion Loss
- \* High Isolation

**Applications:**

- \* Wireless
- \* Transmitter
- \* Laboratory Test
- \* Radar

**Electrical**

|                  |                                 |
|------------------|---------------------------------|
| Frequency:       | 0.2~35GHz                       |
| Insertion Loss:  | 5.5dB max.                      |
| Isolation:       | 60dB min.                       |
| VSWR:            | 2.5 max.                        |
| Input Power:     | 23dBm max.                      |
| Voltage/Current: | +5V@200mA max.<br>-5V@50mA max. |
| Control:         | TTL High - 1<br>TTL Low/NC - 0  |
| Impedance:       | 50Ω                             |

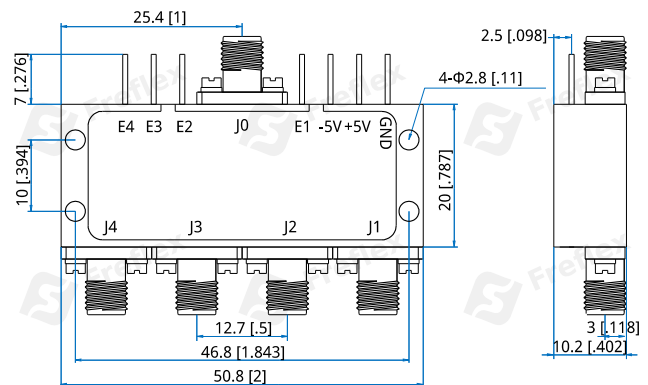
**Mechanical**

|                          |   |
|--------------------------|---|
| Size <sup>*1</sup> :     | 50.8*20*10.2mm<br>2*0.787*0.402in                 |
| Switching Time:          | 100ns max.  |
| RF Connectors:           | 2.92mm Female                                     |
| Power Supply Connectors: | Feed Through/Terminal Post                        |
| Housing Material:        | Gold plated aluminum or<br>Nickel plated aluminum |
| Mounting:                | 4-Φ2.8mm through-hole                             |

[1] Exclude connectors.

**Environmental**

|                            |            |
|----------------------------|------------|
| Operating Temperature:     | -40~+85°C  |
| Non-operating Temperature: | -55~+125°C |

**Outline Drawings**


Unit: mm [in]

Tolerance: ±0.2mm [±0.008in]

**Control True Table**

| E4 | E3 | E2 | E1 | Connection |
|----|----|----|----|------------|
| 1  | 1  | 1  | 0  | J0 - J1 On |
| 1  | 1  | 0  | 1  | J0 - J2 On |
| 1  | 0  | 1  | 1  | J0 - J3 On |
| 0  | 1  | 1  | 1  | J0 - J4 On |

**How To Order**

**FPS4-200-35000-A**

Customization is available upon request.