

FPS4-500-40000-A

SP4T, 0.5~40GHz, Absorptive

Features:

- * Low Insertion Loss
- * High Isolation

Applications:

- * Wireless
- * Transmitter
- * Laboratory Test
- * Radar

Electrical

Frequency:	0.5~40GHz
Insertion Loss:	6dB max.
Isolation:	65dB min.
VSWR:	2.7 max.
Power Supply:	+5V@ 200mA Max.
	-5V@ 50mA Max.
Input Power:	+23dBm max.
Impedance:	50Ω

Mechanical

Size ^{*1} :	50.8*20*10.2mm
	2*0.787*0.402in
Switching Time:	100ns max.
RF Connectors:	2.92mm Female
Material:	Aluminum

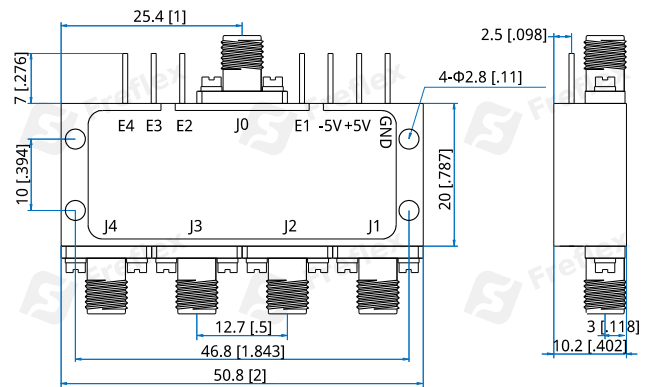
[1] Exclude connectors.

Environmental

Operating Temperature:	-40~+85°C
Non-operating Temperature:	-55~+125°C

Pin Numbering

Control Input TTL				Signal Path State
E4	E3	E2	E1	
1	1	1	0	J0-J1
1	1	0	1	J0-J2
1	0	1	1	J0-J3
0	1	1	1	J0-J4

Outline Drawings


Unit: mm [in]

Tolerance: ±0.2mm [±0.008in]

How To Order

FPS4-500-40000-A

Customization is available upon request.