

# FPS1-20000-40000-A

## SPST, 20~40GHz, Absorptive

**Features:**

- \* Low Insertion Loss
- \* High Isolation

**Applications:**

- \* Wireless
- \* Transmitter
- \* Laboratory Test
- \* Radar

**Electrical**

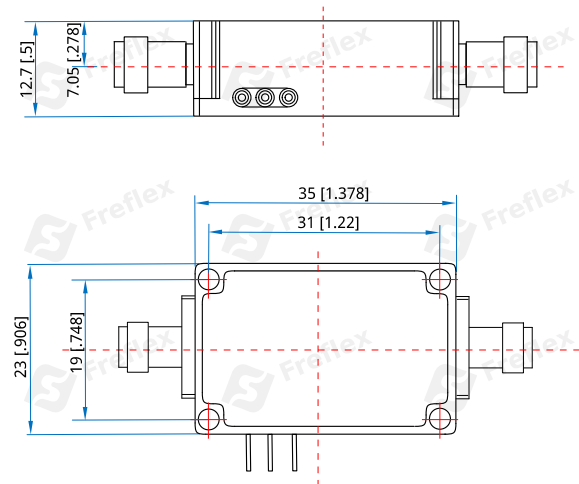
Frequency:	20~40GHz
Insertion Loss:	6dB max.
Isolation:	40dB min.
VSWR:	2.5 max.
Input Power:	30dBm max.
On/Off Delay:	300nS max.
Voltage:	±8V
Current:	0.05A typ.
Control:	TTL High - 1 TTL Low/NC - 0

**Mechanical**

Size:	35*23*12.7mm 1.378*0.906*0.5in
RF Connectors:	2.92mm Female

**Environmental**

Operating Temperature:	-20~+60°C
Non-operating Temperature:	-55~+85°C

**Outline Drawings**


Unit: mm [in]

Tolerance: ±0.2mm [±0.008in]

**Control True Table**

C	Connection
0	Off
1	On

**How To Order**
[FPS1-20000-40000-A](#)

Customization is available upon request.