

FRHA12

60.5~91.9GHz, WR-12

Features:
* Broadband

Applications:
* Wireless
* Transceiver
* Laboratory Test
* Broadcast

Electrical

Frequency: 60.5~91.9GHz
Gain: 10, 15, 20, 25dB
VSWR: 1.2 max.(A, B, C, D)
1.6 max.

Mechanical

Interface: WR-12 (BJ740)
Flange: UG387/U
Material: Brass

Environmental

Temperature: -55~+165°C

How To Order

FRHA12-X-Y-Z

X: Gain in dB

10dB - Outline A, E, I

15dB - Outline B, F, J

20dB - Outline C, G, K

25dB - Outline D, H, L

Y: Connector type if applicable

Z: Installation method if applicable

Connector naming rules:

1 - 1.0mm Female (Outline E, F, G, H, I, J, K, L)

Pannel Mount naming rules:

P - Pannel Mount (Outline I, J, K, L)

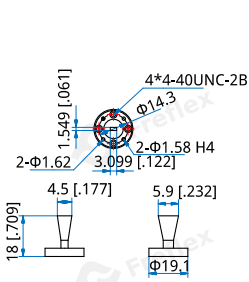
Examples:

To order an antenna, 60.5-91.9GHz, 15dB, WR-10, 1.85mm female, Pannel Mount, specify FRHA12-15-1-P.

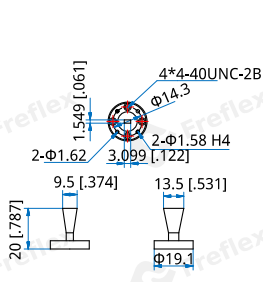
Customization is available upon request.

Standard Gain Horn Antennas

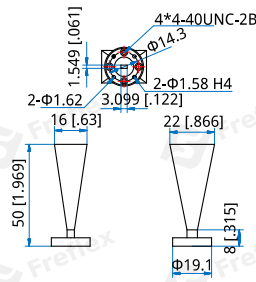
Outline Drawings



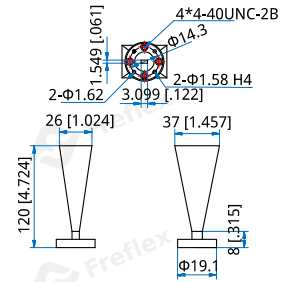
Outline A



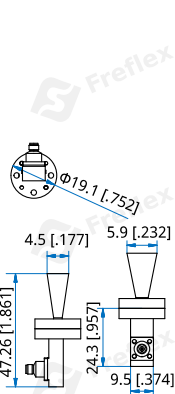
Outline B



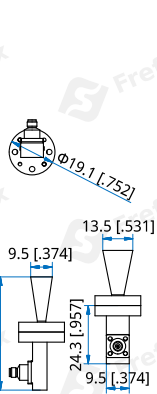
Outline C



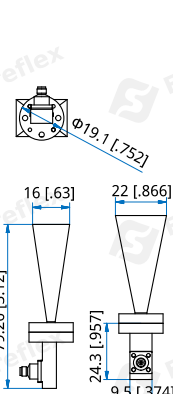
Outline D



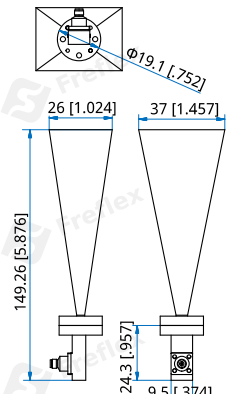
Outline E



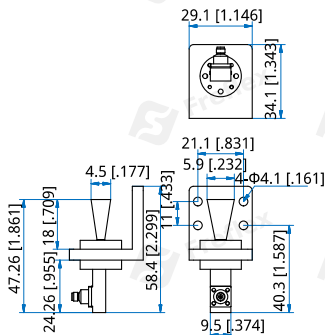
Outline F



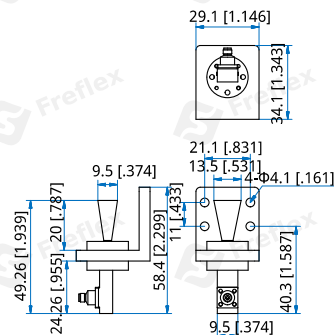
Outline G



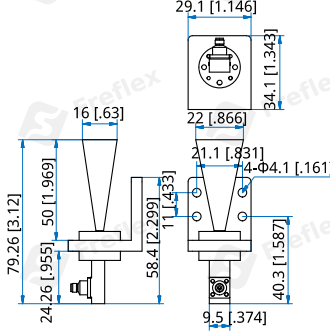
Outline H



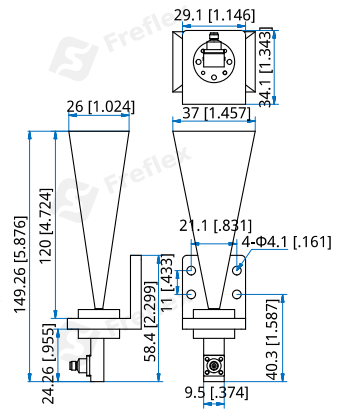
Outline I



Outline J



Outline K



Outline L

Unit: mm [in]
Tolerance: ±0.5mm [±0.02in]