

FRHA3

217~330GHz, WR-3

Features:
* Broadband

Applications:
* Wireless
* Transceiver
* Laboratory Test
* Broadcast

Electrical

Frequency: 217~330GHz
Gain: 25dB
VSWR: 1.2 max.

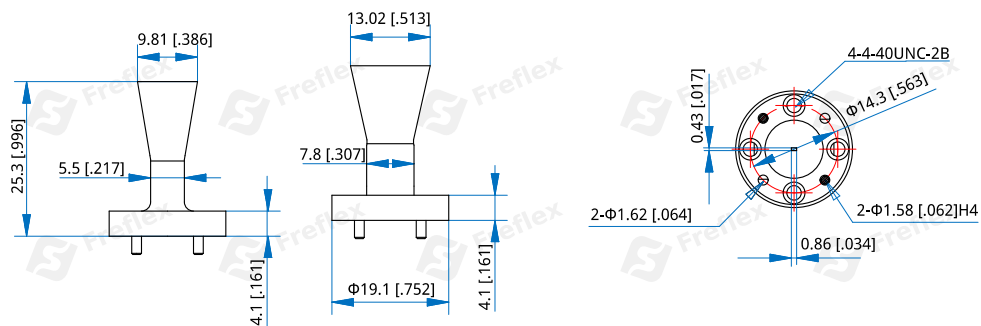
Mechanical

Waveguide size: WR-3 (BJ2600)
Flange: FUGP2600
Material: Copper
Finish: Gold-plating

Environmental

Temperature: -55~+165°C

Outline Drawings



Outline A

Unit: mm [in] Tolerance: ±0.2mm [±0.008in]

How To Order

FRHA3-X-Y-Z

X: Gain in dB

25dB - Outline A

Y: Connector type if applicable

Z: Installation method if applicable

Examples:

To order an antenna, 217~330GHz, 25dB, WR-3, specify FRHA3-25.

Customization is available upon request.