

FRHA340

2.17~3.3GHz, WR-340

Features:
* Broadband

Applications:
* Wireless
* Transceiver
* Laboratory Test
* Broadcast

Electrical

Frequency: 2.17~3.3GHz
Gain: 10, 15dB
VSWR: 1.4 max.

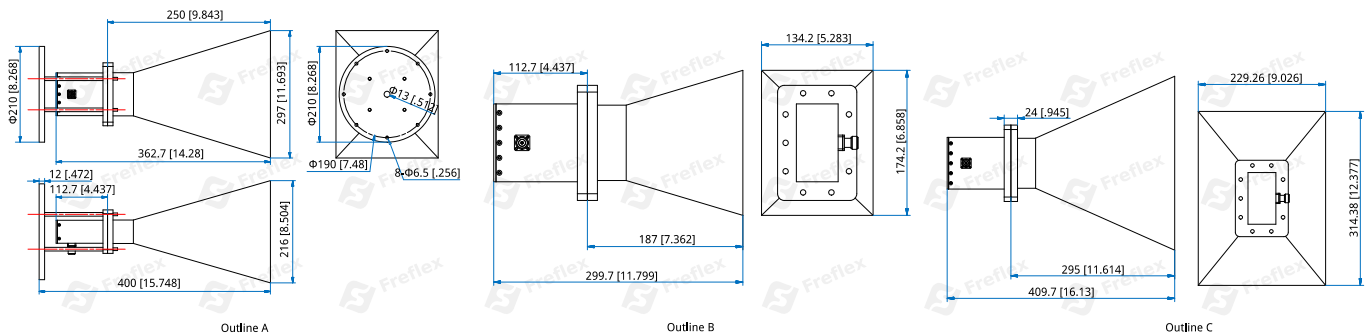
Mechanical

Interface: WR-340 (BJ26)
Flange: FDP26
Material: Aluminium

Environmental

Temperature: -55~+165°C

Outline Drawings



Unit: mm [in] Tolerance: ±0.2mm [±0.008in]

How To Order

FRHA340-X-Y-Z

X: Gain in dB

10dB - Outline B

15dB - Outline A, C

Y: Connector type if applicable

Z: Installation method if applicable

Connector naming rules:

N - N Female (Outline A, B, C)

S - SMA Female

Pannel Mount naming rules:

P - Pannel Mount (Outline A)

Examples:

To order an antenna, 2.17-3.3GHz, 15dB, WR-340, N Female, Pannel Mount, specify FRHA340-15-N-P.

Customization is available upon request.