

FRHA770

0.96~1.46GHz, WR-770

Features:
* Broadband

Applications:
* Wireless
* Transceiver
* Laboratory Test
* Broadcast

Electrical

Frequency: 0.96~1.46GHz
Gain: 15dB
VSWR: 1.4 max.

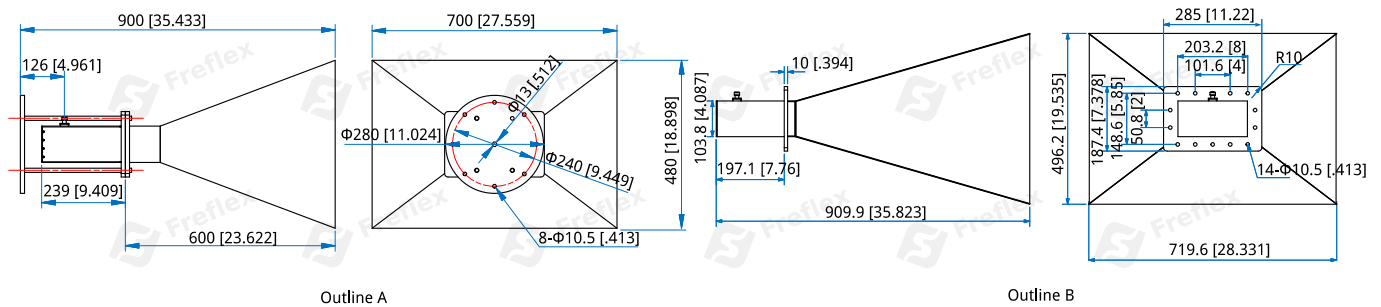
Mechanical

Interface: WR-770 (BJ12)
Flange: FDP12
Material: Aluminium

Environmental

Temperature: -55~+165°C

Outline Drawings



Unit: mm [in] Tolerance: ±0.2mm [±0.008in]

How To Order

FRHA770-X-Y-Z

X: Gain in dB

15dB - Outline A, B

Y: Connector type if applicable

Z: Installation method if applicable

Connector naming rules:

N - N Female (Outline A, B)

S - SMA Female

Pannel Mount naming rules:

P - Pannel Mount (Outline A)

Examples:

To order an antenna, 0.96-1.46GHz, 15dB, WR-770, N Female,
Pannel Mount, specify FRHA770-15-N-P.

Customization is available upon request.