

FSC10

High Power, High Isolation

Features:

- * High Power
- * High Isolation
- * Low Insertion Loss
- * Low VSWR

Applications:

- * Wireless
- * Radar
- * Laboratory Test

Description

FSC10 series Surface Mount Circulators cover frequency range 1805~5100MHz. High power, high isolation and low insertion loss make it ideal for a lot of applications like amplifiers, transceivers, etc.

Specifications

| Frequency (MHz) | Bandwidth (MHz) | IL (dB Max.) | Isolation (dB Min.) | VSWR (Max.) | Average Power (W) | Temperature (°C) |
|-----------------|-----------------|--------------|---------------------|-------------|-------------------|------------------|
| 1805-1880 | 75 | 0.50 | 18.0 | 1.30 | 30 | -40 ~ +85 |
| 2110-2170 | 60 | 0.50 | 18.0 | 1.30 | 30 | -40 ~ +85 |
| 3400-3600 | 200 | 0.50 | 17.0 | 1.35 | 20 | -40 ~ +85 |
| 4800-5100 | 300 | 0.40 | 20.0 | 1.25 | 30 | -40 ~ +85 |

Mechanical

Size: $\Phi 10 \times 7 \text{mm}$
 $\Phi 0.394 \times 0.276 \text{in}$

How To Order
FSC10-W-X-Y-Z

W: Start frequency in MHz

X: Stop frequency in MHz

Y: Average power in W

Z: Direction type

Direction Naming Rules:

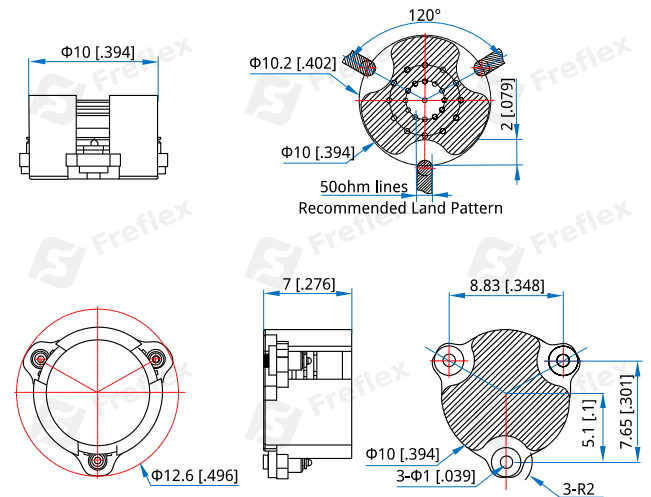
1 - Clockwise

2 - Anticlockwise

Examples:

To order a FSC10 series Circulator, 3.4~3.6GHz, 20W, Clockwise, specify FSC10-3400-3600-20-1.

Customization is available upon request.

Outline Drawings


Unit: mm [inch]

Tolerance: $\pm 0.2 \text{mm}$ [$\pm 0.008 \text{in}$]