

FSC12R3A

High Power, High Isolation

Features:

- * High Power
- * High Isolation
- * Low Insertion Loss
- * Low VSWR

Applications:

- * Wireless
- * Radar
- * Laboratory Test

Description

FSC12R3A series Surface Mount Circulators cover frequency range 1400~6000MHz. High power, high isolation and low insertion loss make it ideal for a lot of applications like amplifiers, transceivers, etc.

Specifications

Frequency (MHz)	Bandwidth (MHz)	IL (dB Max.)	Isolation (dB Min.)	VSWR (Max.)	Average Power (W)	Temperature (°C)
3300-3600	300	0.30	20.0	1.25	100	-40 ~ +85
4800-5600	800	0.80	18.0	1.30	10	-40 ~ +85
5000-6000	1000	0.50	18.0	1.30	60	-40 ~ +85
5500-6000	500	0.40	20.0	1.25	60	-40 ~ +85

Mechanical

Size: $\Phi 12.3 \times 7 \text{mm}$
 $\Phi 0.484 \times 0.276 \text{in}$

How To Order
FSC12R3A-W-X-Y-Z

W: Start frequency in MHz

X: Stop frequency in MHz

Y: Average power in W

Z: Direction type

Direction Naming Rules:

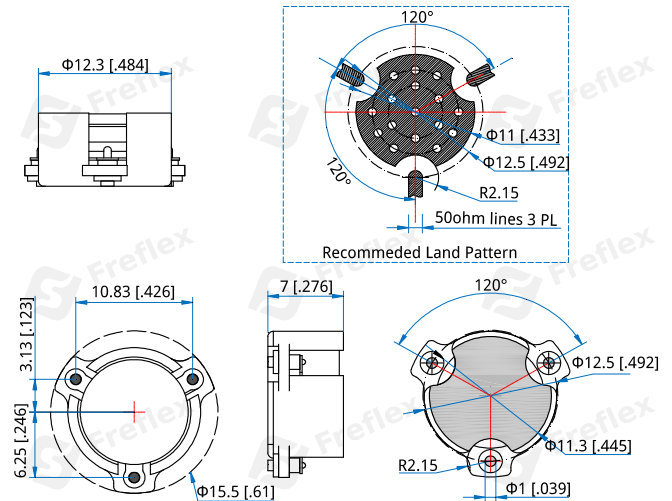
1 - Clockwise

2 - Anticlockwise

Examples:

To order a FSC12R3A series Circulator, 3.3~3.6GHz, 100W, Clockwise, specify FSC12R3A-3300-3600-100-1.

Customization is available upon request.

Outline Drawings


Unit: mm [inch]

Tolerance: $\pm 0.2 \text{mm}$ [$\pm 0.008 \text{in}$]