

FSC25R4

High Power, High Isolation

Features:

- * High Power
- * High Isolation
- * Low Insertion Loss
- * Low VSWR

Applications:

- * Wireless
- * Radar
- * Laboratory Test

Description

FSC25R4 series Surface Mount Circulators cover frequency range 350~4000MHz. High power, high isolation and low insertion loss make it ideal for a lot of applications like amplifiers, transceivers, etc.

Specifications

Frequency (MHz)	Bandwidth (MHz)	IL (dB Max.)	Isolation (dB Min.)	VSWR (Max.)	Average Power (W)	Temperature (°C)
410-460	50	0.50	18.0	1.30	100	-40 ~ +85
483-488	5	0.40	23.0	1.20	100	-40 ~ +85
485-505	20	0.40	23.0	1.20	100	-40 ~ +85

Mechanical

Size: $\Phi 25.4 * 9.5\text{mm}$
 $\Phi 1 * 0.374\text{in}$

How To Order
FSC25R4-W-X-Y-Z

W: Start frequency in MHz

X: Stop frequency in MHz

Y: Average power in W

Z: Direction type

Direction Naming Rules:

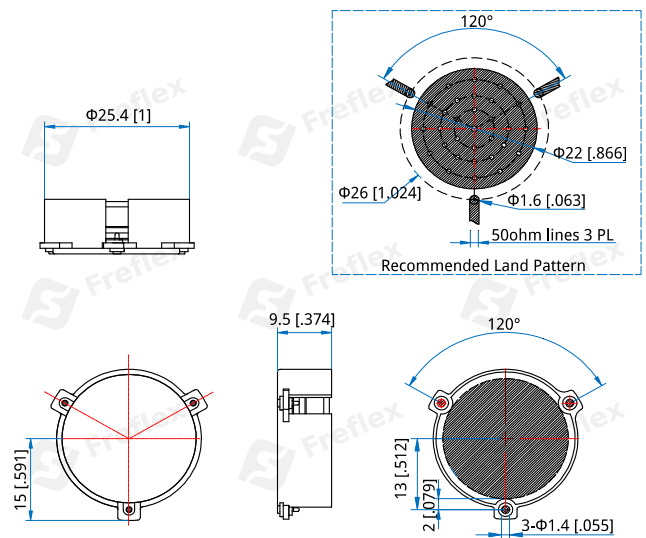
1 - Clockwise

2 - Anticlockwise

Examples:

To order a FSC25R4 series Circulator, 0.41~0.46GHz, 100W, Clockwise, specify FSC25R4-410-460-K1-1.

Customization is available upon request.

Outline Drawings


Unit: mm [inch]

Tolerance: $\pm 0.2\text{mm} [\pm 0.008\text{in}]$