

FSC7

High Power, High Isolation

Features:
 * High Power
 * High Isolation
 * Low Insertion Loss
 * Low VSWR

Applications:
 * Wireless
 * Radar
 * Laboratory Test

Description

FSC7 series Surface Mount Circulators cover frequency range 1805~5000MHz. High power, high isolation and low insertion loss make it ideal for a lot of applications like amplifiers, transceivers, etc.

Specifications

Frequency (MHz)	Bandwidth (MHz)	IL (dB Max.)	Isolation (dB Min.)	VSWR (Max.)	Average Power (W)	Temperature (°C)
1805-1880	75	0.50	20.0	1.25	15	-40 ~ +85
2110-2170	60	0.40	20.0	1.25	15	-40 ~ +85
2496-2690	194	0.30	20.0	1.25	15	-40 ~ +85
2500-2700	200	0.35	20.0	1.25	15	-40 ~ +85
3300-3800	500	0.50	16.0	1.40	15	-40 ~ +85
3400-3600	200	0.30	20.0	1.25	15	-40 ~ +85
4800-5000	200	0.30	20.0	1.25	15	-40 ~ +85

Mechanical

Size: $\Phi 7 * 5.5\text{mm}$
 $\Phi 0.276 * 0.217\text{in}$

How To Order

FSC7-W-X-Y-Z

W: Start frequency in MHz

X: Stop frequency in MHz

Y: Average power in W

Z: Direction type

Direction Naming Rules:

1 - Clockwise

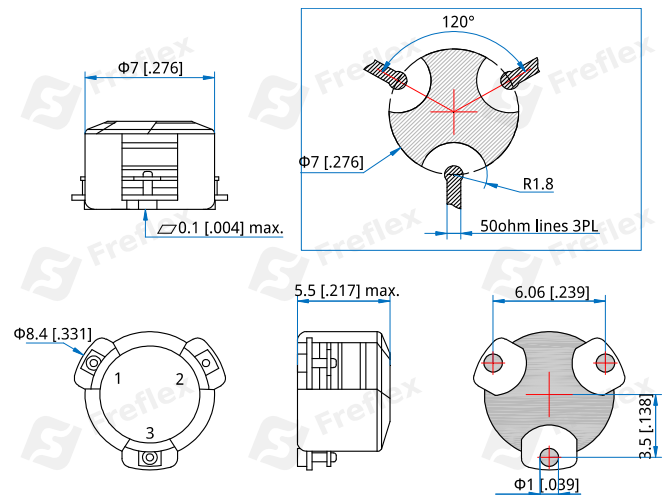
2 - Anticlockwise

Examples:

To order a FSC7 series Circulator, 3.4~3.6GHz, 15W, Clockwise, specify FSC7-3400-3600-15-1.

Customization is available upon request.

Outline Drawings



Unit: mm [inch]

Tolerance: $\pm 0.2\text{mm}$ [$\pm 0.008\text{in}$]