

FSI10

High Power, High Isolation

Features:

- * High Power
- * High Isolation
- * Low Insertion Loss
- * Low VSWR

Applications:

- * Wireless
- * Radar
- * Laboratory Test

Description

FSI10 series Surface Mount Isolators cover frequency range 2515~5300MHz. High power, high isolation and low insertion loss make it ideal for a lot of applications like amplifiers, transceivers, etc.

Specifications

Frequency (MHz)	Bandwidth (MHz)	IL (dB Max.)	Isolation (dB Min.)	VSWR (Max.)	Fwd Power (W Max.)	Rev Power (W)	Temperature (°C)
2515-2675	160	0.40	16.0	1.40	30	5	-40 ~ +85
2600-2800	200	0.60	17.0	1.35	30	5	-40 ~ +85
4800-5100	300	0.40	20.0	1.25	30	5	-40 ~ +85
5100-5300	200	0.40	20.0	1.25	30	10	-40 ~ +85

Mechanical

Size: $\Phi 10 \times 7 \text{mm}$
 $\Phi 0.394 \times 0.276 \text{in}$

How To Order
FSI10-V-W-X-Y-Z

V: Start frequency in MHz

W: Stop frequency in MHz

X: Forward power in W

Y: Reverse power in W

Z: Direction type

Direction Naming Rules:

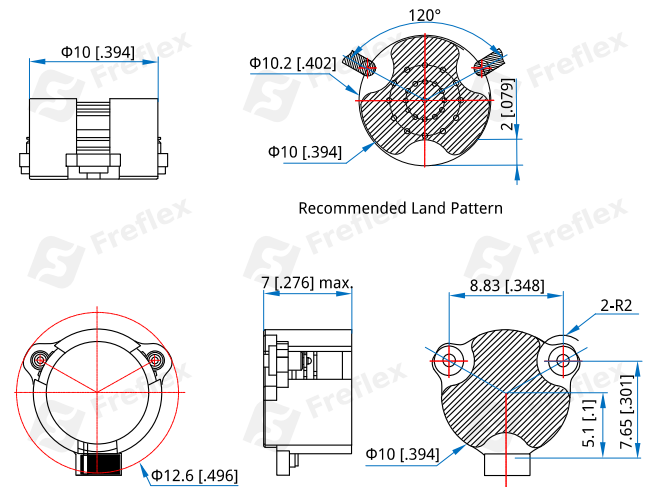
1 - Clockwise

2 - Anticlockwise

Examples:

To order a FSI10 series Isolator, 2515-2675MHz, Forward power 30W, Reverse power 5W, Clockwise, specify FSI10-2515-2675-30-5-1.

Customization is available upon request.

Outline Drawings


Unit: mm [inch]

Tolerance: $\pm 0.2 \text{mm}$ [$\pm 0.008 \text{in}$]