

FSI25R4

High Power, High Isolation

Features:

- * High Power
- * High Isolation
- * Low Insertion Loss
- * Low VSWR

Applications:

- * Wireless
- * Radar
- * Laboratory Test

Description

FSI25R4 series Surface Mount Isolators cover frequency range 350-4000MHz. High power, high isolation and low insertion loss make it ideal for a lot of applications like amplifiers, transceivers, etc.

Specifications

Frequency (MHz)	Bandwidth (MHz)	IL (dB Max.)	Isolation (dB Min.)	VSWR (Max.)	Fwd Power (W Max.)	Rev Power (W)	Temperature (°C)
1030	-	0.30	23.0	1.20	300	20	-40 ~ +85

Mechanical

Size: $\Phi 25.4 \times 9.5\text{mm}$
 $\Phi 1 \times 0.374\text{in}$

How To Order
FSI25R4-V-W-X-Y-Z

- V: Start frequency in MHz
- W: Stop frequency in MHz
- X: Forward power in W
- Y: Reverse power in W
- Z: Direction type

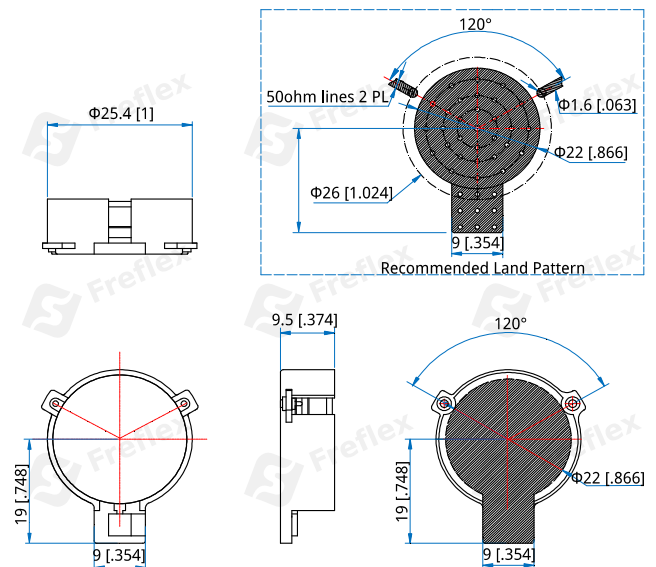
Direction Naming Rules:

- 1 - Clockwise
- 2 - Anticlockwise

Examples:

To order a FSI25R4 series Isolator, 1030MHz, Forward power 300W, Reverse power 20W, Clockwise, specify FSI25R4-1030-K3-20-1.

Customization is available upon request.

Outline Drawings


Unit: mm [inch]

Tolerance: $\pm 0.2\text{mm}$ [$\pm 0.008\text{in}$]