

FSM-0-40000-4-32-1

4-SP8T, DC~40GHz

Features:

- * Low Insertion Loss
- * High Isolation

Applications:

- * Wireless
- * Transmitter
- * Laboratory Test
- * Radar

Description

1. RF Switch Matrix is 4*32, up to 40GHz have identical signal path characteristics, and maximum isolation between signal paths.
2. Each SP8T switch have a phase balance of ± 5 Degrees.
3. Controller Board for controlling through LAN (switch setting).
4. Configurable GUI software.

Electrical

Frequency:	DC~40GHz
Insertion Loss:	1.1dB max.
Isolation:	70dB typ.
VSWR:	2.0 max.
Voltage:	+100~240V AC
Average Power:	37dBm
Impedance:	50 Ω

Mechanical

Size*1:	482*88mm (Depth to be determined) 18.976*3.465in (Depth to be determined)
RF Connectors:	2.92mm Female
Switching Time:	15mS max.
Power Supply Connectors:	Three-phase plugs
Control Interface:	LAN, Front Panel Buttons

[1] Exclude connectors.

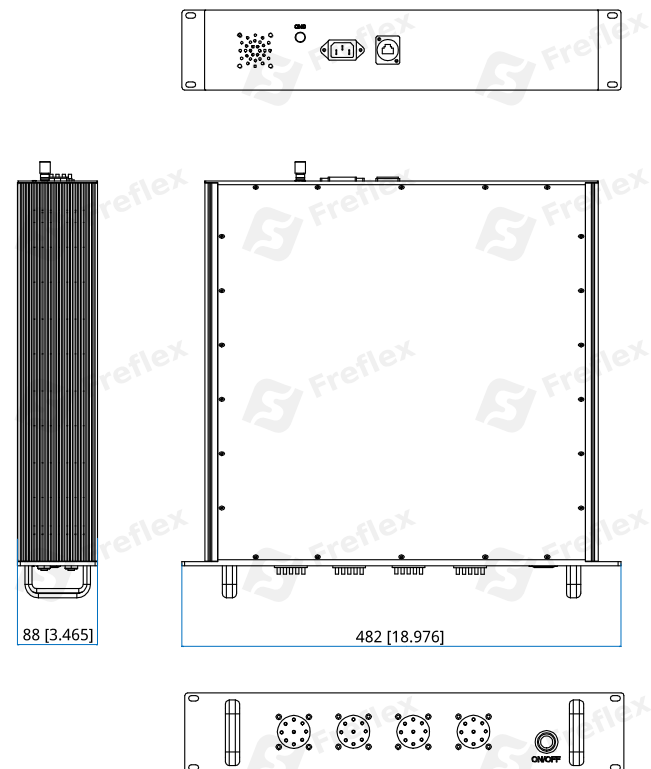
Environmental

Temperature:	-25~+65°C
Extended Temperature:	-45~+85°C

How To Order

FSM-0-40000-4-32-1

Customization is available upon request.

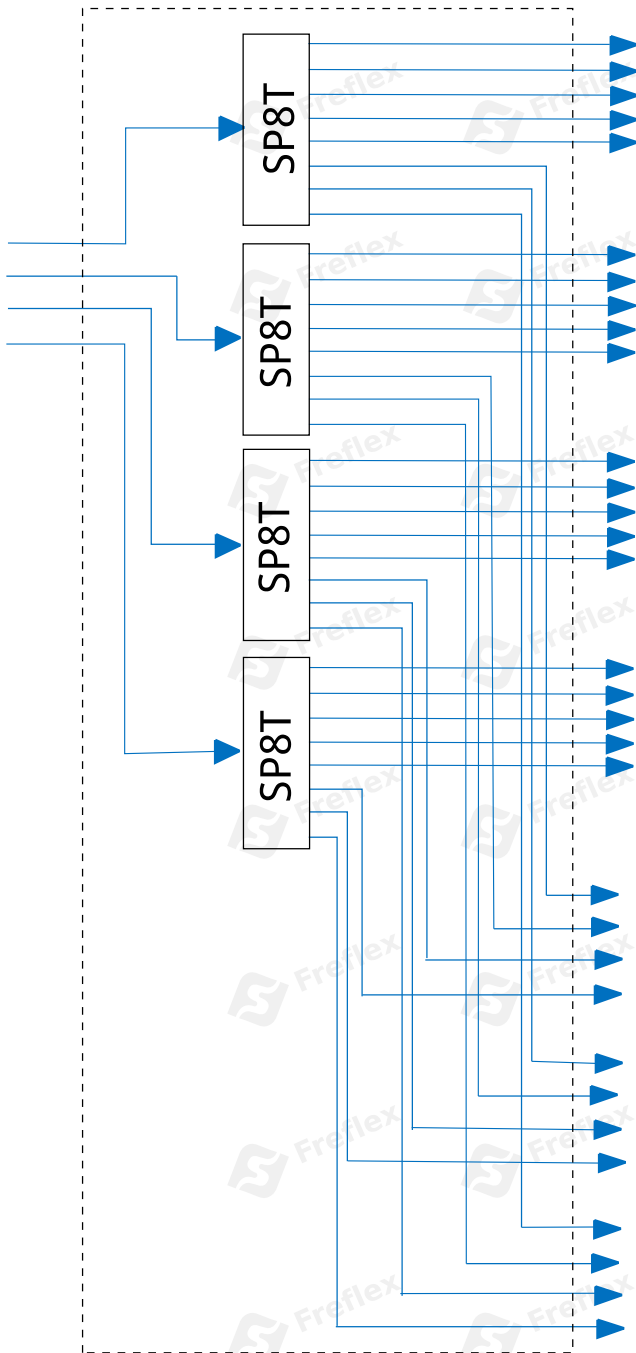
Outline Drawings*2


Unit: mm [in]

Tolerance: ± 0.2 mm [± 0.008 in]

[2] This is a draft

Block Diagram



RF Switch Matrix Block diagram