

FVO-800-1600-9

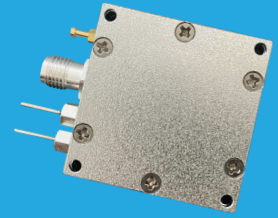
0.8~1.6GHz, 9dBm

Features:

- * High Frequency Stability
- * Ultra Low Phase Noise

Applications:

- * Wireless
- * Transceiver
- * Laboratory Test
- * Radar


Electrical

Output Frequency:	0.8~1.6GHz
Electrically Adjustable Bandwidth:	800MHz
Control Voltage:	0.5~24V
Output Power:	9dBm typ.
2nd Harmonic:	-22dBc typ. -15dBc max.
Spurious:	-70dBc max.
Supply Voltage:	+11.5V DC
Current:	50mA max.

Absolute Maximum Ratings

Control Voltage:	+24V
Supply Voltage:	+12V

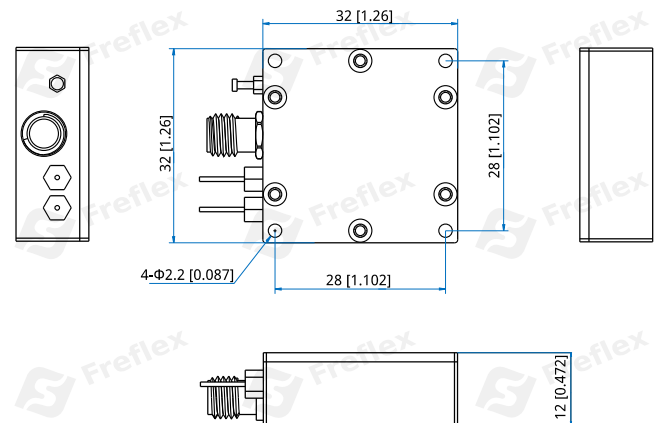
Mechanical

Size*1:	32*32*10mm 1.26*1.26*0.394in
RF Connectors:	SMA Female
Power Supply & Control Interface:	Feed Through/Terminal Post
Mounting:	4-Φ2.2mm through-hole

[1] Exclude connectors.

Environmental

Operating Temperature:	-40~+75°C
Non-operating Temperature:	-55~+85°C

Outline Drawings


Unit: mm [in]

Tolerance: ±0.2mm [±0.008in]

How To Order

FVO-800-1600-9

Customization is available upon request.

Typical Performance data

V Tune	Frequency (MHz)	Power (dBm)	Second Harmonic Frequency (MHz)	Second Harmonic Power (dBm)	Third Harmonic Frequency (MHz)	Third Harmonic Power (dBm)
0	654	7.07	1307	-21.02	1955	-24.83
0.5	676	7.47	1356	-19.07	2031	-25.22
1	703	7.53	1405	-18.07	2112	-25.44
2	757	8.09	1513	-13.96	2274	-23.85
3	816	7.83	1631	-11.98	2452	-23.89
4	875	8.29	1756	-10.21	2636	-24.74
5	940	8.24	1885	-9.42	2830	-24.37
6	1005	8.39	2009	-8.91	3014	-25.88
7	1064	8.70	2134	-8.85	3197	-29.13
8	1124	9.1	2247	-8.53	3370	-31.89
10	1126	9.34	2458	-9.29	3683	-37.06
12	1318	9.81	2638	-11.99	5276	-37.95
13	1356	9.72	2711	-13.17	5433	-36.71
15	1426	9.38	2852	-15.97	5714	-34.62
16	1459	9.31	2922	-17.49	5849	-35.13
18	1523	9.28	3046	-20.41	4574	-39.87
19	1556	9.15	3111	-21.83	4672	-39.13
21	1610	8.73	3219	-23.49	4839	-38.74
22	1637	8.6	3273	-25.03	4915	-38.54