

FVPS360-1000-2000

1~2GHz, 360°

Features:

- * Low Insertion Loss
- * High Reliable

Applications:

- * Laboratory Test
- * Transmitter
- * Instrumentation
- * Wireless

Electrical

Frequency:	1~2GHz
Phase Range:	360° min.
Insertion Loss:	5.5dB max.
Phase Flatness:	±15° max.
Control Voltage:	0~15V max.
Current:	5mA max.
VSWR:	2.5 max.
Input Power:	27dBm max.
Impedance:	50Ω

Mechanical

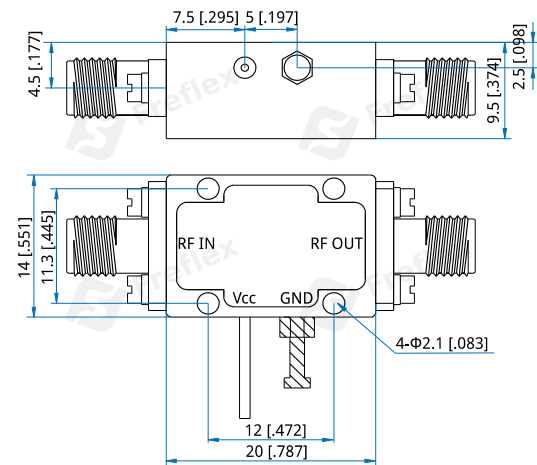
Size ^{*1} :	20*14*9.5mm 0.787*0.551*0.374in
RF Connectors:	SMA female
Mounting:	4-Φ2.1mm through-hole

[1] Exclude connectors.

Environmental

Operating Temperature:	-40~+85°C
Non-operating Temperature:	-50~+105°C

Outline Drawings



Unit: mm [in]

Tolerance: ±0.1mm [±0.004in]

How To Order

FVPS360-1000-2000

Customization is available upon request.