

FVPS360-250-500

250~500MHz, 360°

Features:

- * Low Insertion Loss
- * High Reliable

Applications:

- * Laboratory Test
- * Transmitter
- * Instrumentation
- * Wireless

Electrical

Frequency:	250~500MHz
Impedance:	50Ω
Phase Range*1:	360° typ.
Insertion Loss:	5dB max.
Phase Flatness:	±30° typ.
Control Voltage:	0~14V
Current:	5mA
VSWR:	2.0 max.
Average Power:	1W max.

[1] Phase shift varies linearly corresponding to the frequency. For example, if the maximum phase shift is 360°@500MHz, the maximum phase shift is 180°@250MHz.

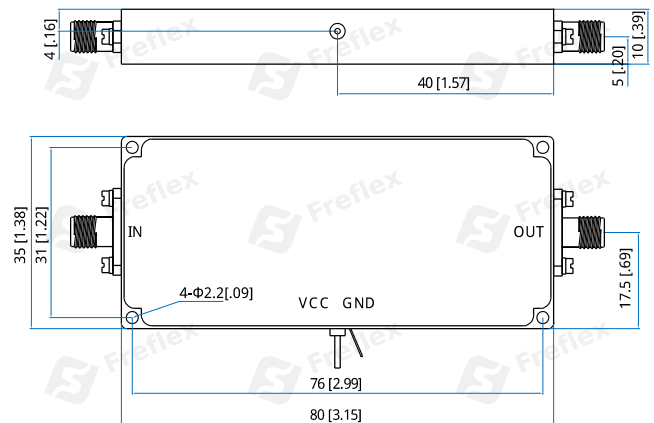
Mechanical

Size:	80*35*10mm 3.15*1.38*0.39in
Weight:	70g typ.
RF Connectors:	SMA Female
Mounting:	4*Φ2.2mm through-hole

Environmental

Operating Temperature:	-45~+85°C
Non-operating Temperature:	-55~+125°C

Outline Drawings



Unit: mm [in]

Tolerance: ±0.3mm [±0.01in]

How To Order

FVPS360-250-500