

## FWFA10-R5

### WR-10, 0.5W

**Features:**

- \* Low VSWR
- \* High Attenuation Flatness

**Applications:**

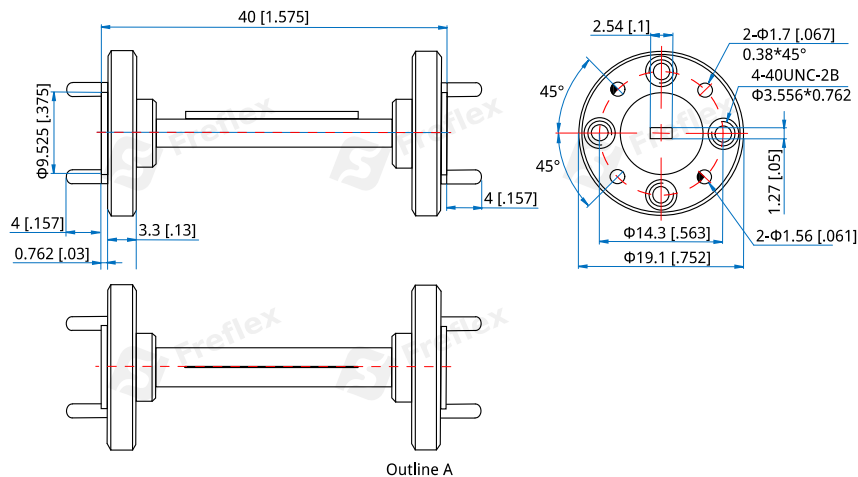
- \* Wireless
- \* Transmitter
- \* Laboratory Test
- \* Radar

**Electrical**

|                |                                  |
|----------------|----------------------------------|
| Frequency:     | 73.8~110GHz                      |
| VSWR:          | 1.25 max.                        |
| Attenuation:   | 3, 5, 6, 9, 10, 15, 20, 30, 40dB |
| Average Power: | 0.5W                             |

**Mechanical**

|             |               |
|-------------|---------------|
| Connectors: | WR-10 (BJ900) |
| Flange:     | UG-387/UM     |
| Material:   | Copper        |
| Coating:    | Gold plated   |

**Outline Drawings**


Unit: mm [in]

Tolerance:  $\pm 0.5\text{mm}$  [ $\pm 0.02\text{in}$ ]

**How To Order**
**FWFA10-R5-X-Y-Z**

X: Attenuation in dB(3, 5, 6, 9, 10, 15, 20, 30, 40 - Outline A)

Y: Material

Z: Flange type

Material naming rules:

C - Copper (Outline A)

Flange naming rules:

12 - UG-387/UM (Outline A)

Examples:

To order a Waveguide Fixed Attenuator, 73.8~110GHz, 10dB, Copper, UG-387/UM, specify FWFA10-R5-10-C-12.

Customization is available upon request.