

FWFA112-25

WR-112, 25W

Features:

- * Low VSWR
- * High Attenuation Flatness

Applications:

- * Wireless
- * Transmitter
- * Laboratory Test
- * Radar

Electrical

Frequency:	6.57~10GHz
VSWR:	1.2 max.
Attenuation:	15±1.5, 30±1.5dB
Average Power:	25W

Mechanical

Interface:	WR-112 (BJ84)
Flange:	FDP84/FBP84
Material:	Aluminium
Finish:	Conductive oxidation
Coating:	Gray paint
RoHS:	2.0

Length (mm/in)

Attenuation (dB)	FBP/FDP
15	450 [17.717]
30	400 [15.748]

How To Order
FWFA112-25-X-Y-Z

X: Attenuation in dB (15, 30 - Outline A, B)

Y: Material

Z: Flange type

Material naming rules:

A - Aluminium (Outline A, Outline B)

Flange naming rules:

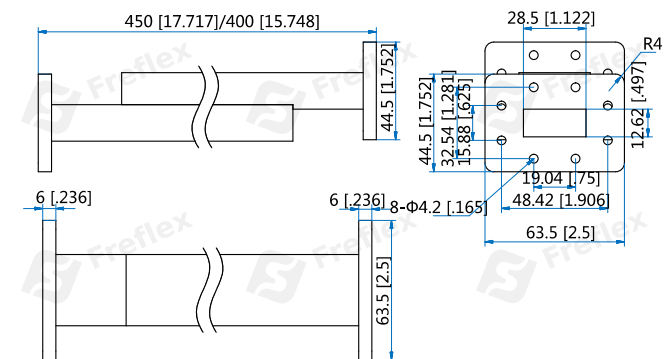
1 - FBP (Outline B)

2 - FDP (Outline A)

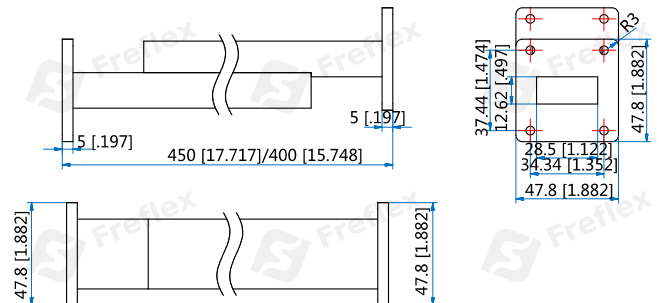
Examples:

To order a Waveguide Fixed Attenuator, 6.57~10GHz, 15dB, Aluminium, FDP84, specify FWFA112-25-15-A-2.

Customization is available upon request.

Outline Drawings


Outline A



Outline B

Unit: mm [in] Tolerance: ±0.5mm [±0.02in]