

FWFA137-1K WR-137, 1000W

Features:

- * Low VSWR
- * High Attenuation Flatness

Applications:

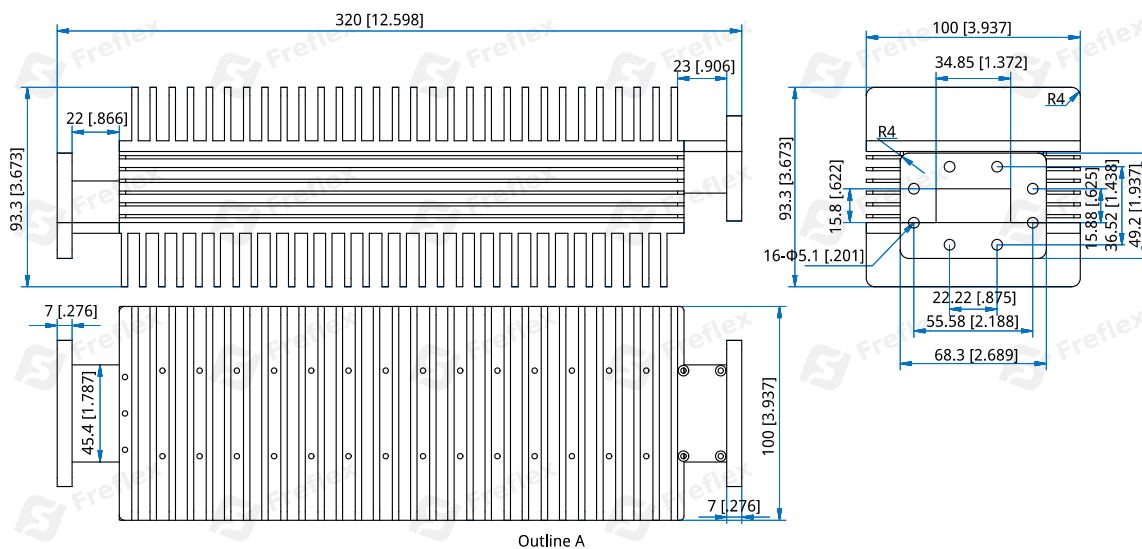
- * Wireless
- * Transmitter
- * Laboratory Test
- * Radar

Electrical

Frequency:	5.38–8.17GHz
VSWR:	1.2 max.
Attenuation:	50±1.5, 55dB
Average Power:	1000W

Mechanical

Interface:	WR-137 (BJ70)
Flange:	FDP70
Material:	Aluminium
Finish:	Conductive oxidation
Coating:	Gray paint

Outline Drawings


Unit: mm [in] Tolerance: ±0.5mm [±0.02in]

How To Order
FWFA137-1K-X-Y-Z

X: Attenuation in dB (50, 55 - Outline A)

Y: Material

Z: Flange type

Material naming rules:

A - Aluminium (Outline A)

Flange naming rules:

2 - FDP (Outline A)

Examples:

To order a Waveguide Fixed Attenuator, 5.38–8.17GHz, 50dB, Aluminium, FDP70, specify FWFA137-1K-50-A-2.

Customization is available upon request.