

FWFA51-K26 WR-51

Features:

- * Low VSWR
- * High Attenuation Flatness

Applications:

- * Wireless
- * Transmitter
- * Laboratory Test
- * Radar

Electrical

Frequency:	15~22GHz
VSWR:	1.15 max.
Attenuation:	30dB
Power:	260W min.

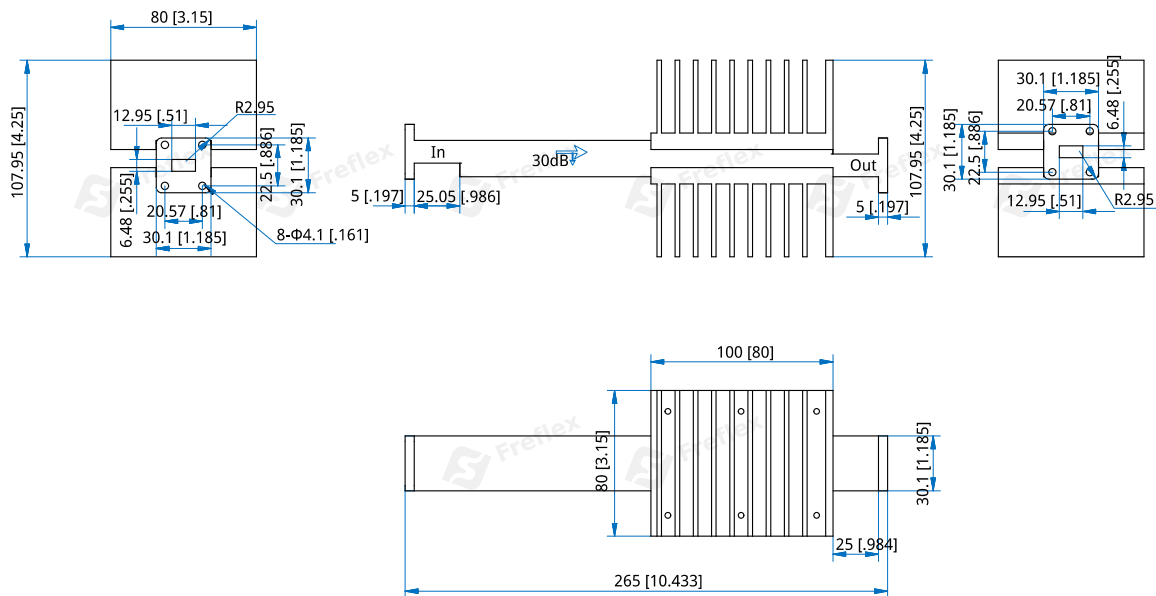
Mechanical

Interface:	WR-51 (BJ180)
Flange:	FBP180(UBR180)
Material:	Aluminum
Finish:	Conductive oxidation
Coating:	Black paint

Environmental

Operating Temperature: -40~+125°C

Outline Drawings



Unit: mm [in] Tolerance: ±0.5mm [±0.02in]

How To Order

FWFA51-K26-X-Y-Z

X: Attenuation in dB (30 - Outline A)

Y: Material

Z: Flange type

Material naming rules:

A - Aluminium (Outline A)

Flange naming rules:

1 - FBP (Outline A)

Examples:

To order a Waveguide Fixed Attenuator, 15~22GHz, 30dB, Aluminium, FBP180, specify FWFA51-K26-30-A-1.

Customization is available upon request.