

FWI-2700-3100-3K5

Broadband & High Isolation

Features:

- * Broadband
- * High Isolation
- * Low Insertion Loss

Applications:

- * Wireless
- * Radar
- * Laboratory Test

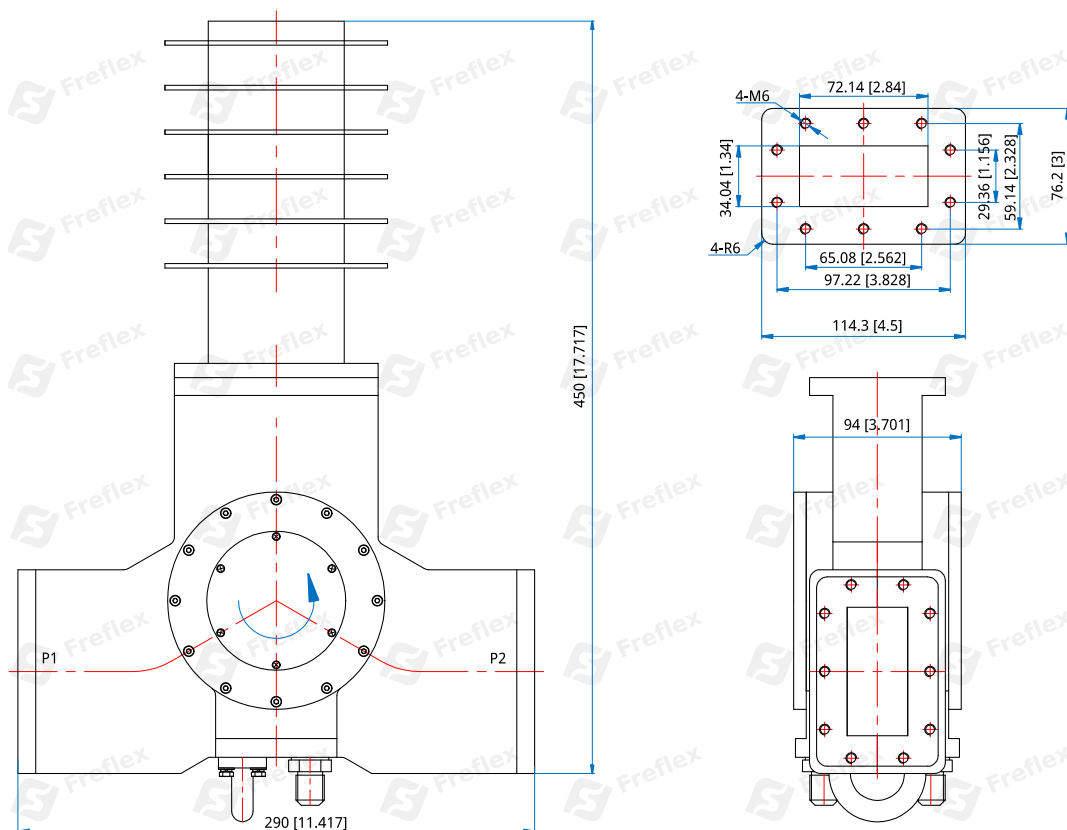
Electrical

Frequency:	2.7~3.1GHz
Insertion Loss:	0.3dB max.
Isolation:	20dB min.
VSWR:	1.25 max.
Average Power:	3.5KW
Peak Power:	240KW

Mechanical

Size:	450*290*94mm
	17.717*11.417*3.701in
Interface:	WR-284 (BJ32)
Flange:	FDM32
Material:	Aluminium
Finish:	Conductive oxidation
Cool:	Water cooling

Outline Drawings



Unit: mm [inch]

Tolerance: $\pm 0.5\text{mm}$ [$\pm 0.02\text{in}$]

How To Order

FWI-2700-3100-3K5

Customization is available upon request.