

## FWPD8-17500-18500-K2-51

### 8-Way, 17.5~18.5GHz, 200W, WR-51

Features:  
 \* Small Size  
 \* Low Insertion Loss

Applications:  
 \* Amplifiers  
 \* Mixers  
 \* Antennas  
 \* Laboratory Test

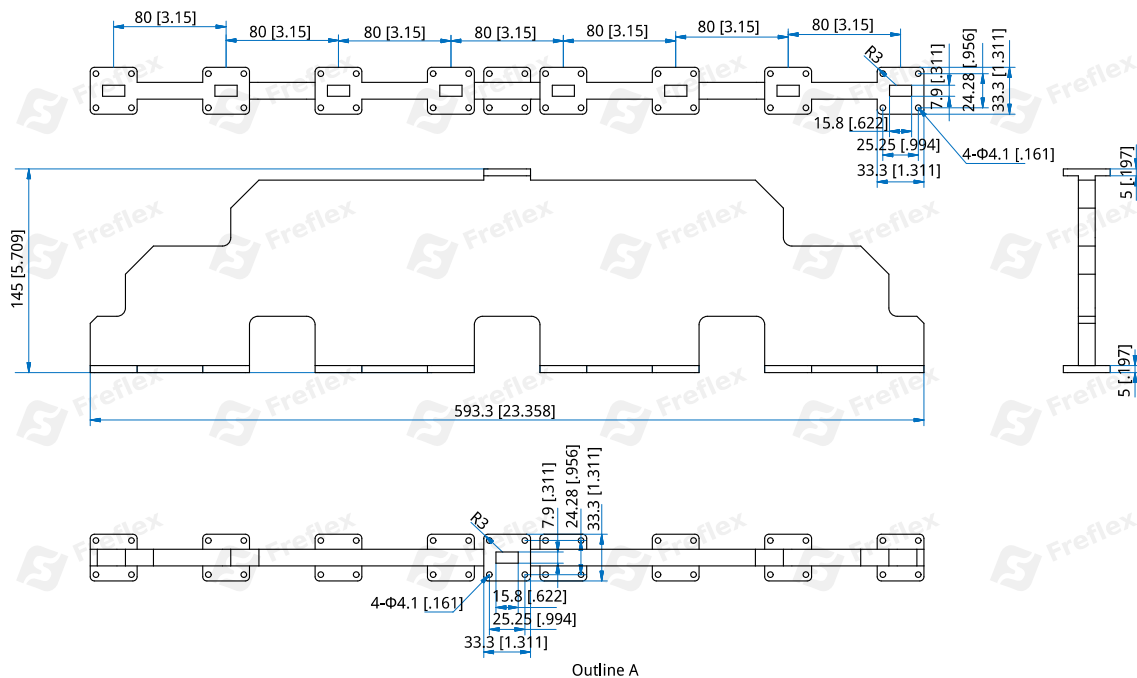
#### Electrical

Frequency: 17.5~18.5GHz  
 Insertion Loss: 1dB max.  
 VSWR (SUM Port): 1.2 max.  
 Phase Balance:  $\pm 5^\circ$   
 Peak Power: 1000W  
 Power @SUM Port: 200W as divider  
 200W as combiner

#### Mechanical

Waveguide Size: WR-51 (BJ180)  
 Flange: FBP180  
 Material: Aluminium  
 Finish: Silver plating  
 Coating: Sea gray

#### Outline Drawings



Unit: mm [in]

Tolerance:  $\pm 0.5\text{mm}$  [ $\pm 0.02\text{in}$ ]

#### How To Order

**FWPD8-17500-18500-K2-51-Y-Z**

Y: Material

Z: Flange type

Material naming rules:

A - Aluminium (Outline A)

Flange naming rules:

1 - FBP (Outline A)

Examples:

To order a 8-way waveguide power divider, 17.5~18.5GHz, 200W, WR-51, Aluminium, FBP180, specify FWPD8-17500-18500-K2-51-A-1.

Customization is available upon request.