

## FWSS-15 WR-15

### Features:

- \* Low VSWR
- \* High Isolation

### Applications:

- \* Wireless
- \* Transmitter
- \* Laboratory Test
- \* Radar

### Electrical

Frequency:	49.8~75.8GHz
VSWR:	1.1 max.
Insertion Loss:	0.1 max.

### Mechanical

Length:	0.026m 1.024in
Waveguide size:	WR-15 (BJ620)
Flange:	UG385/U
Material:	Copper

### How To Order

#### FWSS-15-X-Y-Z

- X: Length  
Y: Material  
Z: Flange type

#### Length in mm:

26 - 26mm (Outline A)

#### Material naming rules:

C - Copper (Outline A)

#### Flange naming rules:

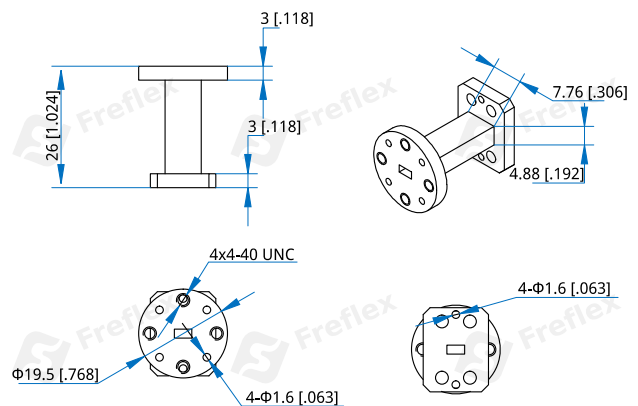
6 - UG-385/U (Outline A)

#### Examples:

To order a waveguide straight section, WR-15, 26mm, Copper, UG-385/U, specify FWSS-15-26-C-6.

Customization is available upon request.

### Outline Drawings



Unit: mm [in]

Tolerance:  $\pm 0.2\text{mm}$  [ $\pm 0.008\text{in}$ ]