

FWSS-187 WR-187

Features:
* Low VSWR
* High Isolation

Applications:
* Wireless
* Transmitter
* Laboratory Test
* Radar

Electrical

Frequency: 3.94~5.99GHz
VSWR: 1.2 max.
Insertion Loss: 0.05dB max.

Mechanical

Length: 0.25m
0.9843in
Waveguide size: WR-187 (BJ48)
Flange: FAM48
Material: Aluminium
Finish: Conductive oxidation
Coating: Gray paint

How To Order

FWSS-187-X-Y-Z

X: Length
Y: Material
Z: Flange type

Length in mm:
250 - 250mm (Outline A)

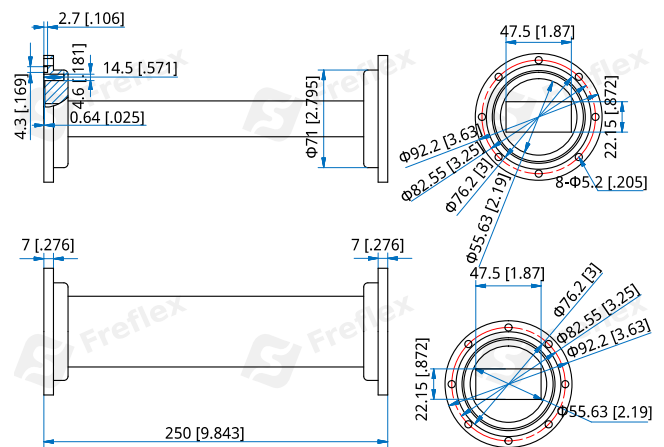
Material naming rules:
A - Aluminium (Outline A)

Flange naming rules:
19 - FAM (Outline A)

Examples:
To order a waveguide straight section, WR-187, 250mm, Aluminium, FAM48, specify FWSS-187-250-A-19.

Customization is available upon request.

Outline Drawings



Unit: mm [in]
Tolerance: $\pm 0.2\text{mm}$ [$\pm 0.008\text{in}$]