

FWSS-430 WR-430

Features:
 * Low VSWR
 * High Isolation

Applications:
 * Wireless
 * Transmitter
 * Laboratory Test
 * Radar

Electrical

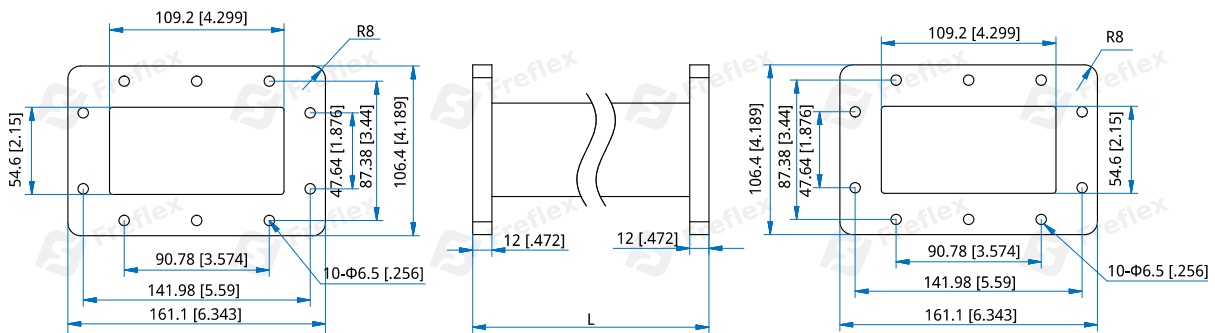
Frequency: 1.72–2.61GHz

Length (mm)	VSWR (max.)	Insertion Loss (dB max.)
500	1.1	0.05
1000	1.1	0.1

Mechanical

Interface: WR-430 (BJ22)
 Flange: FDP22
 Material: Aluminium
 Surface Treatment: Conductive oxidation
 Coating: Black paint

Outline Drawings



Unit: mm [in]
 Tolerance: ±0.2mm [±0.008in]

How To Order

FWSS-430-X-Y-Z

X: Length in mm.

Y: Material

Z: Flange type

Length in mm:

500-500mm

1000-1000mm

Material naming rules:

A - Aluminium

Flange naming rules:

2 - FDP

Examples:

To order a waveguide straight section, WR-430, 500mm, Aluminium, FDP22, specify FWSS-430-500-A-2.

Customization is available upon request.