

## FWSD-137

DPDT, 5.38~8.17GHz, WR-137

### Features:

- \* Low VSWR
- \* High Isolation
- \* Low Insertion Loss

### Applications:

- \* Wireless
- \* Transmitter
- \* Laboratory Test
- \* Radar

### Electrical

Frequency:	5.38~8.17GHz
Insertion Loss:	0.02dB max.
VSWR:	1.05 max.
Isolation:	60dB min.
Voltage:	24±2V DC
current:	1.2A@24V DC

### Mechanical

Interface:	WR-137
Operation Life:	0.1M Cycles
Switching Time:	60mS

### Environmental

Operating Temperature:	-40~+85°C
Extended Temperature:	-55~+85°C
Non-operating temperature:	-55~+105°C

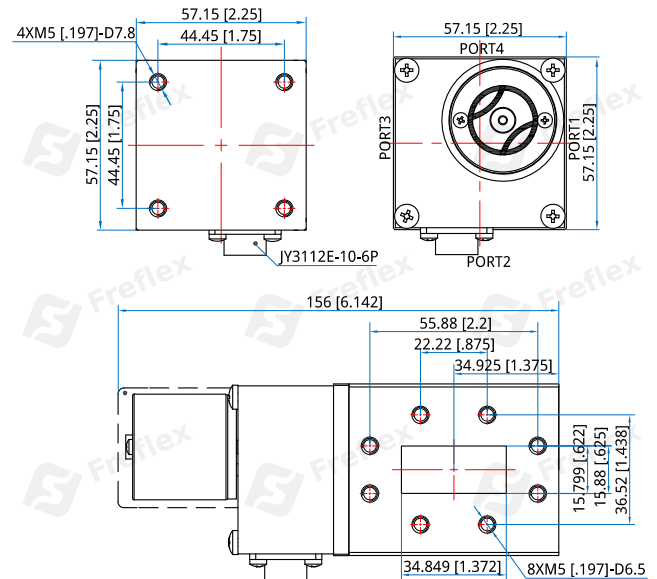
### Pin Numbering

Pin	Function	Pin	Function
A	VDC	D	Indicator1
B	GND	E	COM(Indicator)
C	VDC	F	Indicator2

### Control Logic

Position	A	B	C	RF Working Condition	Indicator status
POS 1	VDC	GND	NC	PORT1-PORT2 ON PORT3-PORT4 ON	D-E ON F-E OPEN
POS 2	NC	GND	VDC	PORT1-PORT4 ON PORT3-PORT2 ON	D-E OPEN F-E ON

### Outline Drawings



Unit: mm [in]

Tolerance: ±0.2mm [±0.008in]

### Additional Options

TTL: T

Indicators: I

Extended Temperature: Z

### How To Order

**FWSD-137-XYZ**

X: Voltage. +15V: F, +24V: K.

Y: Interface Circular Connector: 2.

Z: Additional Options.

Examples:

To order a Waveguide Switch, DPDT, WR-137, +24V, TTL, Indicators, specify FWSD-137-K2TI.

Customization is available upon request.

## Driving Schematic Diagram

