

FWSD-75

DPDT, 10~15GHz, WR-75

Features:

- * Low VSWR
- * High Isolation
- * Low Insertion Loss

Applications:

- * Wireless
- * Transmitter
- * Laboratory Test
- * Radar

Electrical

Frequency:	10~15GHz
Insertion Loss:	0.05dB max.
VSWR:	1.08 max.
Isolation:	60dB min.
Voltage:	24±2V DC
current:	1.2A@24V DC

Mechanical

Interface:	WR-75
Operation Life:	0.1M Cycles
Switching Time:	50mS

Environmental

Operating Temperature:	-40~+85°C
Extended Temperature:	-55~+85°C
Non-operating temperature:	-55~+105°C

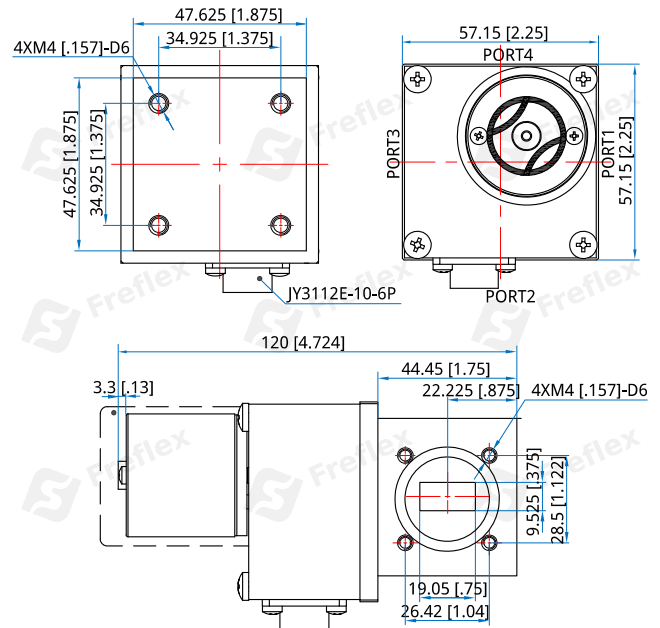
Pin Numbering

Pin	Function	Pin	Function
A	VDC	D	Indicator1
B	GND	E	COM(Indicator)
C	VDC	F	Indicator2

Control Logic

Position	A	B	C	RF Working Condition	Indicator status
POS 1	VDC	GND	NC	PORT1-PORT2 ON PORT3-PORT4 ON	D-E ON F-E OPEN
POS 2	NC	GND	VDC	PORT1-PORT4 ON PORT3-PORT2 ON	D-E OPEN F-E ON

Outline Drawings



Unit: mm [in]

Tolerance: ±0.2mm [±0.008in]

Additional Options

TTL: T
Indicators: I
Extended Temperature: Z

How To Order

FWSD-75-XYZ

X: Voltage. +15V: F, +24V: K.
Y: Interface Circular connector: 2.
Z: Additional Options.

Examples:

To order a Waveguide Switch, DPDT, WR-75, +24V, TTL, Indicators, specify FWSD-75-K2TI.

Customization is available upon request.

Driving Schematic Diagram

