

FWCA-137-N

WR-137 to N

Features:
* Low VSWR

Applications:
* Wireless
* Transmitter
* Laboratory Test
* Radar

Electrical

Frequency: 5.38–8.17GHz
VSWR: 1.25 max.
1.2 max. (right angle)
Insertion Loss: 0.3dB max. (end launch)

Mechanical

Coax Connectors: N
Waveguide Size: WR-137
Flange: FDP70/FDM70
Material: Aluminium

Environmental

Operating Temperature: -70~+165°C

How To Order

FWCA-137-X-Y-Z

X : Connector type.

Y : Configuration type.

Z : Flange type if applicable.

Connector naming rules:

N - N Male (Outline A, Outline B)

NF - N Female (Outline A, Outline B)

Configuration naming rules:

E - End launch (Outline B)

R - Right angle (Outline A)

Flange naming rules:

1 - FBP

2 - FDP (Outline A)

3 - FBM

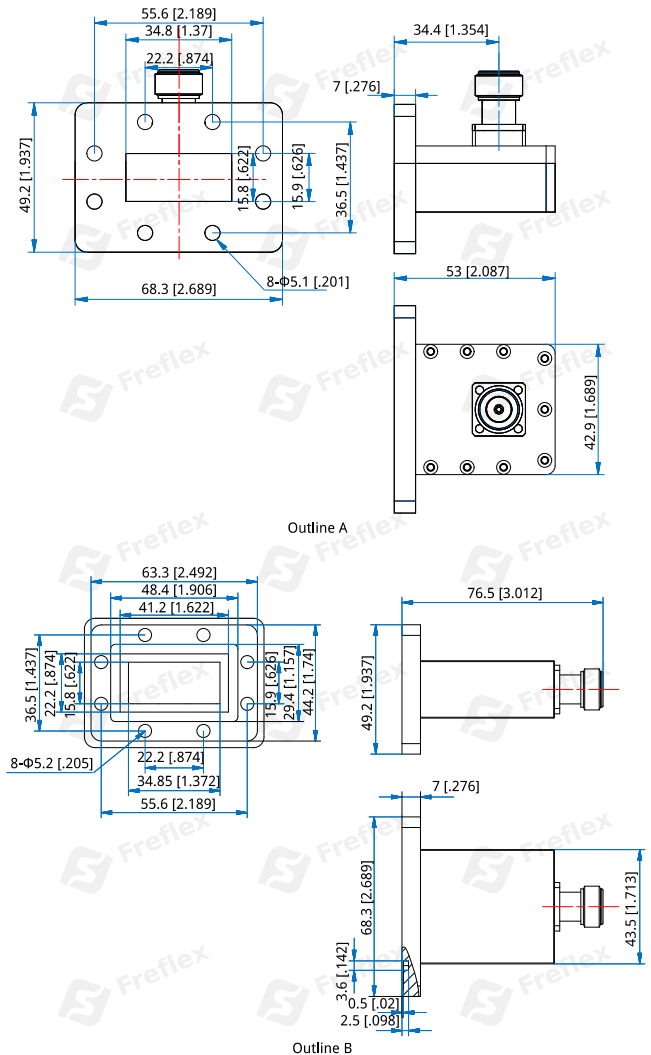
4 - FDM (Outline B)

Examples:

To order a waveguide to coax adapter, WR-137 to N female, right angle, FDP, specify FWCA-137-NF-R-2.

Customization is available upon request.

Outline Drawings



Unit: mm [in]

Tolerance: ±0.2mm [±0.008in]