

## FWCA-15-1

### WR-15 to 1.0mm

Features:  
\* Low VSWR

Applications:  
\* Wireless  
\* Transmitter  
\* Laboratory Test  
\* Radar

#### Electrical

Frequency: 50~75GHz  
VSWR: 1.38 max. (Outline A)  
1.4 max.  
Impedance: 50Ω

#### Mechanical

Coax Connectors: 1.0mm  
Waveguide Size: WR-15  
Flange: UG-385/U  
Material: Gold plated brass

#### Environmental

Operating Temperature: -55~+125°C

#### How To Order

**FWCA-15-X-Y-Z**

X : Connector type.

Y : Configuration type.

Z : Flange type if applicable.

Connector naming rules:

1F - 1.0mm Female (Outline A, B)

1 - 1.0mm Male (Outline A, B)

Configuration naming rules:

E - End launch (Outline B)

R - Right angle (Outline A)

Flange naming rules:

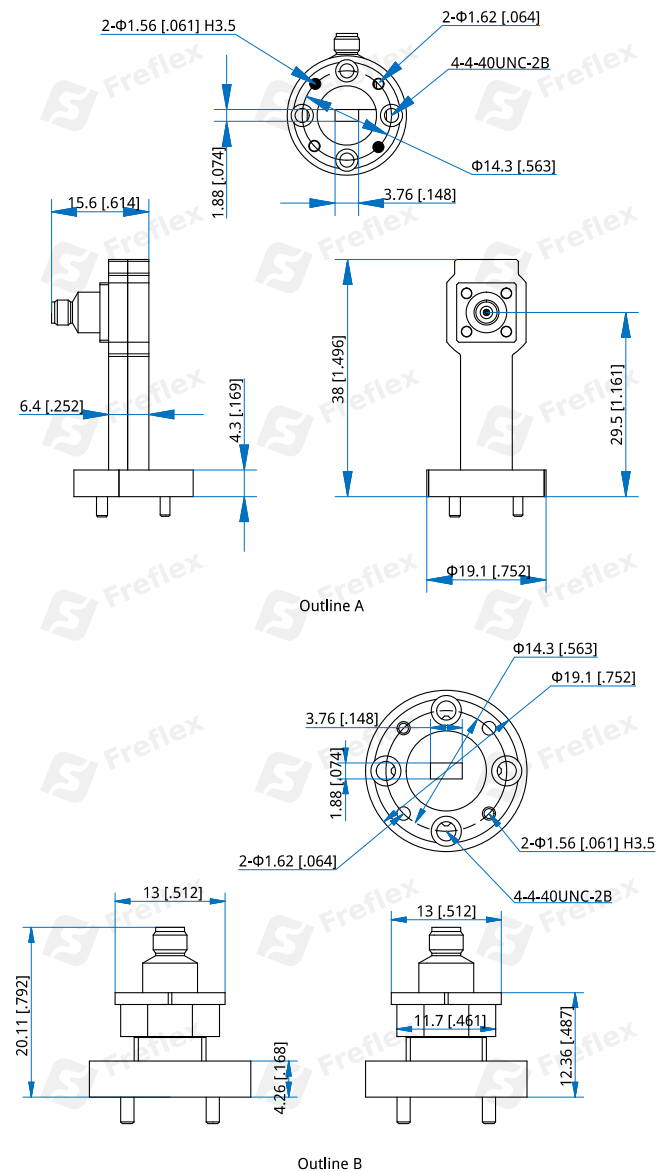
6 - UG-385/U (Outline A, B)

Examples:

To order a waveguide to coax adapter, WR-15 to 1.0mm male, right angle, UG-385/U, specify FWCA-15-1-R-6.

Customization is available upon request.

#### Outline Drawings



Unit: mm [in]

Tolerance: ±0.2mm [±0.008in]