

FWCA-15-V

WR-15 to 1.85mm

Features:
* Low VSWR

Applications:
* Wireless
* Transmitter
* Laboratory Test
* Radar

Electrical

Frequency:	50~75GHz
VSWR:	1.38 max. (Outline A) 1.35 max. (Outline B)
Impedance:	50Ω

Mechanical

RF Connectors:	1.85mm
Interface:	WR-15 (BJ620)
Flange:	UG-385/U
Material:	Copper
Finish:	Gold plated brass

Environmental

Operating Temperature: -55~+125°C

How To Order

FWCA-15-X-Y

X: Connector type.

Y: Configuration type.

Z: Flange type if applicable.

Connector naming rules:

V - 1.85mm Male (Outline A, B)

VF - 1.85mm Female (Outline A, B)

Configuration naming rules:

E - End launch (Outline B)

R - Right angle (Outline A)

Flange naming rules:

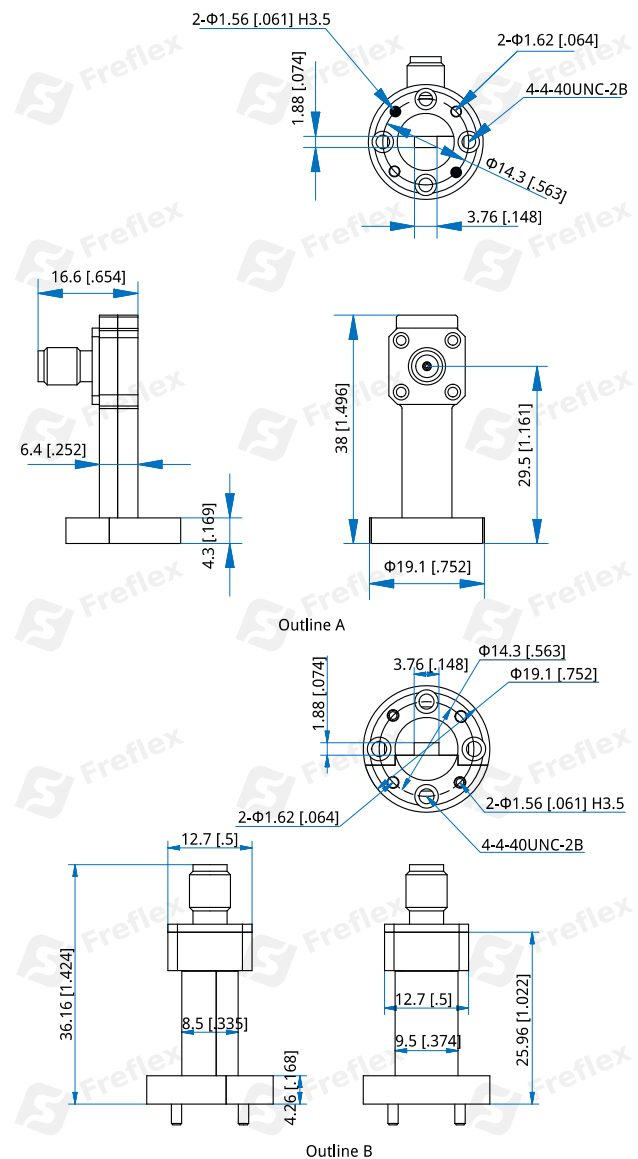
6 - UG-385/U mateable with FUGP620 (Outline A,B)

Examples:

To order a waveguide to coax adapter, WR-15 to 1.85mm male, right angle, UG-385/U, specify FWCA-15-V-R-6.

Customization is available upon request.

Outline Drawings



Unit: mm [in]

Tolerance: ±0.2mm [±0.008in]