

## FWCA-159-S

### WR-159 to SMA

Features:  
\* Low VSWR

Applications:  
\* Wireless  
\* Transmitter  
\* Laboratory Test  
\* Radar

#### Electrical

Frequency: 4.64~7.05GHz  
VSWR: 1.2 max.@3.94~5.2GHz  
1.05 max.@5.2~5.99GHz

#### Mechanical

Coax Connectors: SMA  
Waveguide Size: WR-159  
Flange: FDP58/FDM58  
Material: Aluminium

#### Environmental

Operating Temperature: -70~+165°C

#### How To Order

##### FWCA-159-X-Y-Z

X : Connector type.

Y : Configuration type.

Z : Flange type if applicable.

Connector naming rules:

S - S Male (Outline A, Outline B, Outline C)

SF - S Female (Outline A, Outline B, Outline C)

Configuration naming rules:

E - End launch (Outline A)

R - Right angle (Outline B, Outline C)

Flange naming rules:

1 - FBP

2 - FDP (Outline A, Outline B)

3 - FBM

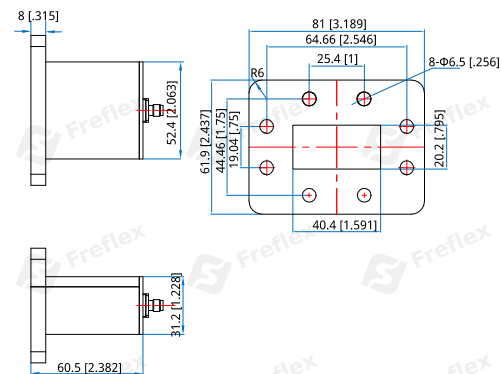
4 - FDM (Outline C)

Examples:

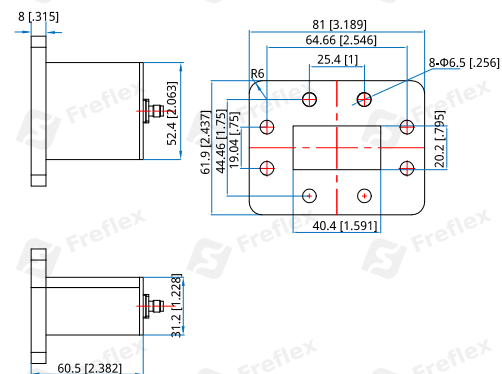
To order a waveguide to coax adapter, WR-159 to SMA female, right angle, FDP, specify FWCA-159-SF-R-2.

Customization is available upon request.

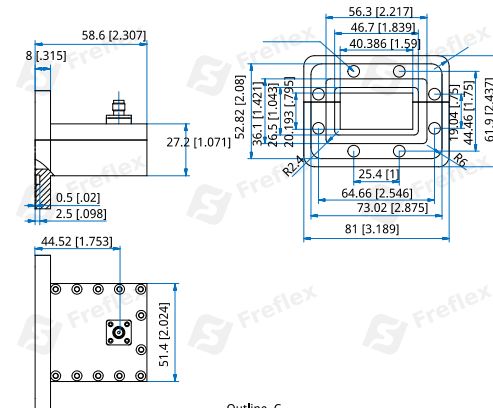
#### Outline Drawings



Outline A



Outline B



Outline C

Unit: mm [in]

Tolerance: ±0.2mm [±0.008in]