

FWCA-22-2

WR-22 to 2.4mm

Features:
* Low VSWR

Applications:
* Wireless
* Transmitter
* Laboratory Test
* Radar

Electrical

Frequency: 32.9~50.1GHz
VSWR: 1.4 max.
1.3 max.(end launch)

Mechanical

Coax Connectors: 2.4mm
Waveguide Size: WR-22
Flange: UG-383/U
Material: Gold plated brass

Environmental

Operating Temperature: -70~+165°C

How To Order

FWCA-22-X-Y

X: Connector type.

Y: Configuration type.

Z: Flange type if applicable.

Connector naming rules:

2 - 2.4mm Male(Outline A, Outline B)

2F - 2.4mm Female (Outline A, Outline B)

Y: End launch: E, Right angle: R.

E - End launch (Outline A)

R - Right angle (Outline B)

Flange naming rules:

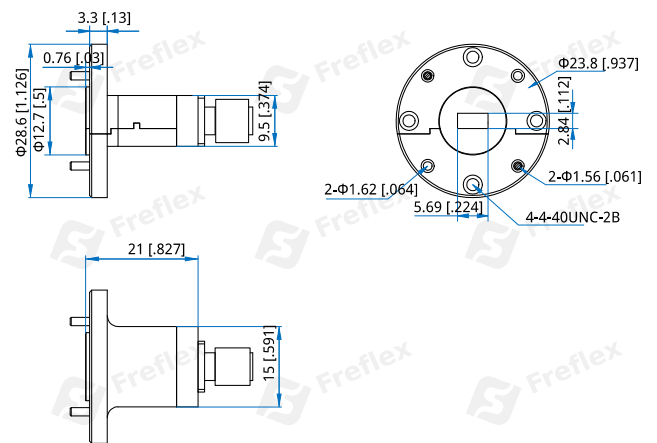
5 - UG-383/U mateable with FUGP400 (Outline A)

Examples:

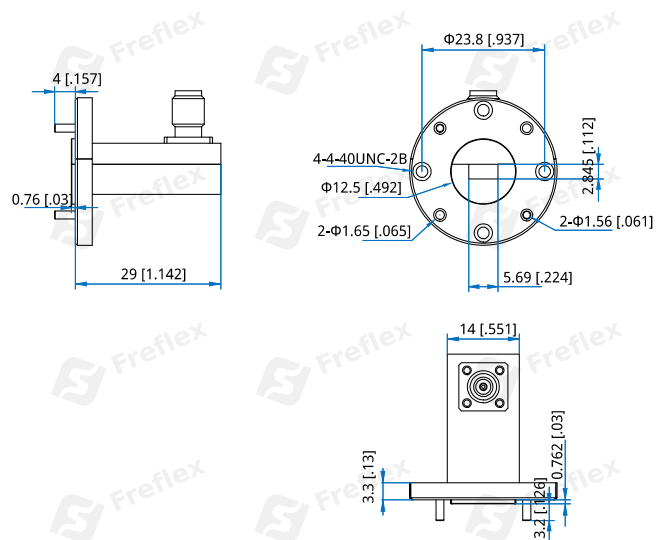
To order a waveguide to coax adapter, WR-22 to 2.4mm female, right angle, specify FWCA-22-2F-R-5.

Customization is available upon request.

Outline Drawings



Outline A



Outline B

Unit: mm [in]

Tolerance: $\pm 0.2\text{mm}$ [$\pm 0.008\text{in}$]