

## FWCA-284-7

### WR-284 to 7/16 DIN

Features:  
\* Low VSWR

Applications:  
\* Wireless  
\* Transmitter  
\* Laboratory Test  
\* Radar

#### Electrical

Frequency: 2.6~3.95GHz  
VSWR: 1.2 max.  
Insetion Loss: 0.3 max. (Outline A)

#### Mechanical

Coax Connectors: 7/16 DIN  
Waveguide Size: WR-284  
Flange: FDP32  
Material: Aluminium

#### Environmental

Operating Temperature: -70~+165°C

#### How To Order

**FWCA-284-X-Y-Z**

X : Connector type.

Y : Configuration type.

Z : Flange type if applicable.

Connector naming rules:

7 - 7/16 DIN Male (Outline A, B)

7F - 7/16 DIN Female (Outline A, B)

Configuration naming rules:

E - End launch (Outline A)

R - Right angle (Outline B)

Flange naming rules:

1 - FBP

2 - FDP (Outline A, B)

3 - FBM

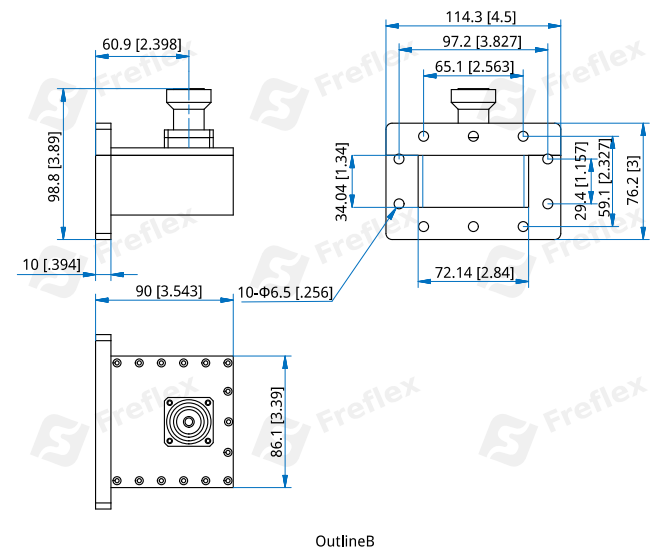
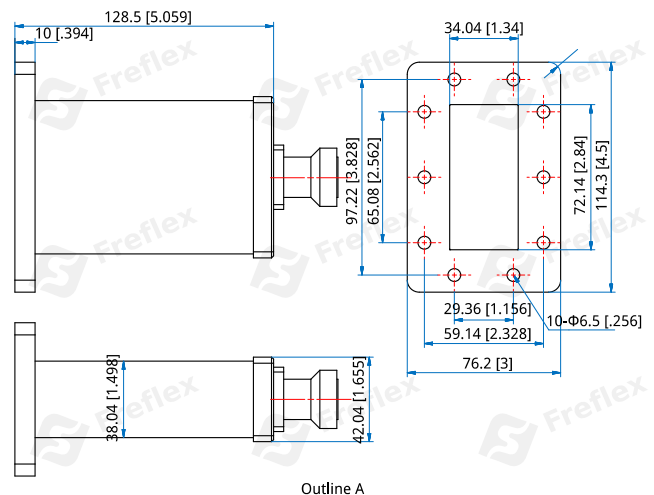
4 - FDM

Examples:

To order a waveguide to coax adapter, WR-284 to 7/16 DIN female, end launch, FDP32, specify FWCA-284-7F-E-2.

Customization is available upon request.

#### Outline Drawings



Unit: mm [in]

Tolerance: ±0.5mm [±0.02in]